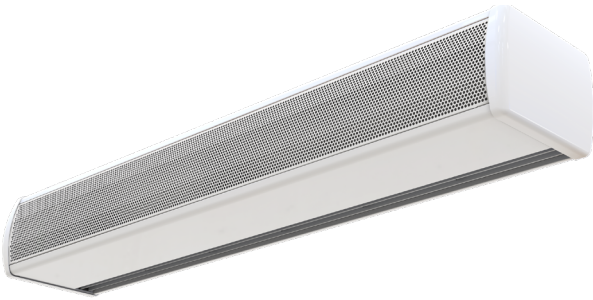




## Technical features



RAL 9016  
standard



Other colors  
on request



Aqua Aero coating  
on request



Range  
**Up to 3 m**



Chamber temperature  
**>0°C [\*]**



Casing  
**Galvanised steel**



Airflow / Length  
**1650 - 3190 m<sup>3</sup>/h  
1 m to 2 m**



Protection grade  
**IP20**



Grille type  
**Hexagonal perforated**



Fans  
**Tangential  
proportional**



Control  
**Stepless regulator**



Outlet vanes  
**Aluminium, airfoil type**

[\*] From 0°C to -25°C only in certain conditions.

OPTIMA K air curtain is specially designed for cold rooms with temperatures above 0°C.

Small and compact friendly design with rounded shape and edges. It incorporates a large faceted inlet grille avoiding intensive maintenance. Equipped with low noise twisted cross-flow fans, driven with external rotor motors, which provides a homogeneous airflow.

Includes a stepless control, which allows the regulation of the curtain not to be carried out in stages, but to calibrate the air speed continuously, adapting it to each installation. It also includes kick-start function.

 UNHEATED

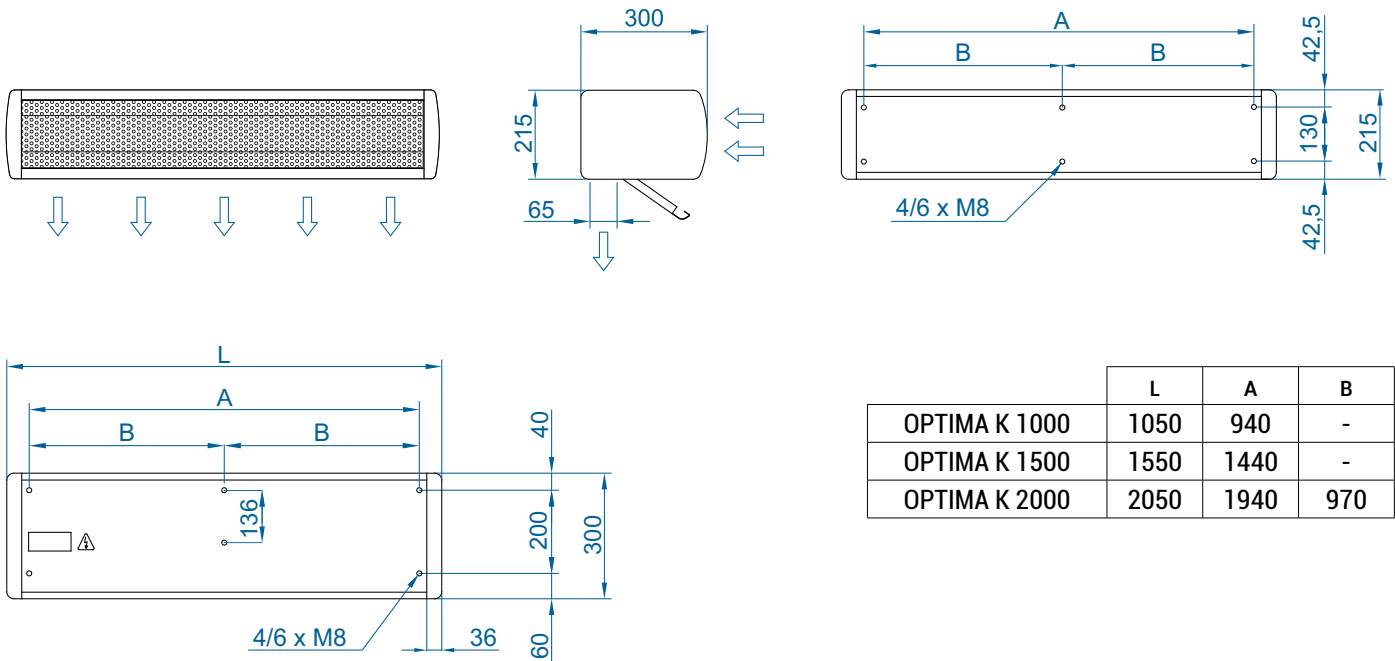
Model	Airflow 230V		Ventilation power 230V		Ventilation current 230V		Noise Level (5 m) dB(A)	Weight kg
	50Hz m <sup>3</sup> /h	60Hz m <sup>3</sup> /h	50Hz kW	60Hz kW	50Hz A	60Hz A		
OPT K 1000 A	1650	1800	0,080	0,109	0,41	0,56	35/50	18
OPT K 1500 A	2365	2515	0,117	0,145	0,53	0,74	36/51	26
OPT K 2000 A	3190	3390	0,160	0,218	0,82	1,12	38/53	34



Selection program



## Dimensions

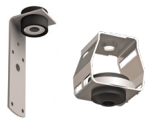


## Optional accessories

### Supports and installation



Wall rail support  
SPWR



Silentblock supports  
SPANG-SIL / SLB



Suspension cables  
SPCT



Omega wall support  
SPT2

### Control



Stepless regulator  
✓ Included

### Sensors



Mechanical door contact  
MEC-DC

CAD drawings, BIM files, installation manuals and other documentation

