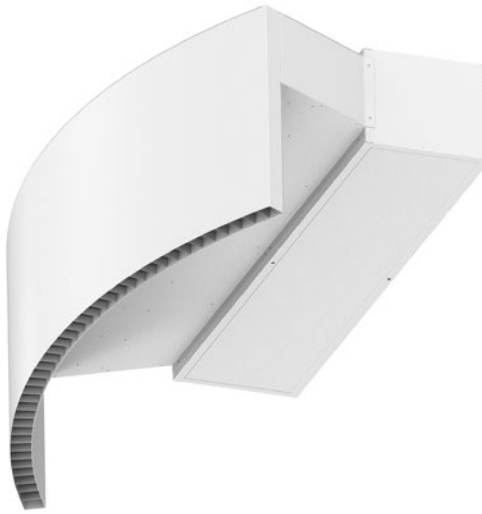




Technical Features



Maximum range
B : 5 m BB : 7 m



Heating types
E : electrical 3 stages
P : water
A : unheated
DX : heat pump [*]



Casing [**]
Galvanised Steel



Airflow / Length
2910 - 9380 m³/h
1 m to 2,5 m



Heating capacity
E : 5 - 46 kW
P : 12,4 - 45,8 kW



Grille type
Rectangular perforated



Fans
Centrifugal
5-speed



Control
Plug&Play Advanced PRO
+ IR remote control
(Optional Clever Control)



Outlet lamellas
Aluminium, airfoil type
Adjustable 0-15° each side

RAL 9016
standard



Other colors
on request



Stainless
steel



[*] Consult separate DX catalogs

[**] Each air curtain is tailor made

ROTOWIND air curtains are custom designed to fit perfectly with the curvature of any revolving door. They can be mounted discreetly in two possible layout configurations, with tailored dimensions: standard (on top mounting) or inverted (false ceiling mounting).

Self-supporting casing construction finished in white colour RAL9016 as standard. Other colours or stainless steel are available on request. With large perforated inlet grille avoiding intensive maintenance.

This model works with the latest generation of double-inlet centrifugal high efficiency EC fans driven by an external rotor motor, with low noise level and very low consumption.

Advanced Plug&Play control. Includes: Advanced PRO control with LCD display and integrated thermostat, door contact, 7m RJ11 cable and remote control. Optional: intelligent Clever PRO Control (automatic, programmable, modbus for PLC, timer, etc).

❄ UNHEATED

| Model | Airflow m ³ /h | Ventilation power 230V~50Hz kW | Ventilation current 230V~50Hz A | Noise level (5 m) dB(A) | Weight kg |
|----------------|------------------------------|--------------------------------------|---------------------------------------|-------------------------------|--------------|
| ROTO B 1000 A | 3060 | 0,523 | 3,8 | 62 | - |
| ROTO B 1500 A | 4080 | 0,697 | 5,07 | 63 | - |
| ROTO B 2000 A | 6120 | 1,046 | 7,61 | 64 | - |
| ROTO B 2500 A | 7140 | 1,22 | 8,87 | 65 | - |
| ROTO BB 1000 A | 4020 | 0,873 | 3,87 | 66 | - |
| ROTO BB 1500 A | 5360 | 1,164 | 5,16 | 67 | - |
| ROTO BB 2000 A | 8040 | 1,746 | 7,74 | 68 | - |
| ROTO BB 2500 A | 9380 | 2,037 | 9,03 | 69 | - |



ELECTRIC HEATED

| Model | Airflow | Electrical heating capacity 400Vx3~50Hz (*) | Ventilation power 230V-50Hz | Ventilation current 230V-50Hz | Noise level (5 m) | Weight kg |
|----------------|-------------------|--|--------------------------------|----------------------------------|----------------------|--------------|
| | m ³ /h | kW | kW | A | dB(A) | |
| ROTO B 1000 E | 3060 | 5/10/15 | 0,523 | 3,8 | 62 | - |
| ROTO B 1500 E | 4080 | 8/12/20 | 0,697 | 5,07 | 63 | - |
| ROTO B 2000 E | 6120 | 10/20/30 | 1,046 | 7,61 | 64 | - |
| ROTO B 2500 E | 7140 | 12/22/34 | 1,22 | 8,87 | 65 | - |
| ROTO BB 1000 E | 4020 | 6/10/21 | 0,873 | 3,87 | 66 | - |
| ROTO BB 1500 E | 5360 | 8/19/27 | 1,164 | 5,16 | 67 | - |
| ROTO BB 2000 E | 8040 | 12/30/42 (**) | 1,746 | 7,74 | 68 | - |
| ROTO BB 2500 E | 9380 | 16/30/46 (**) | 2,037 | 9,03 | 69 | - |

(*) Under request other electrical heating power can be limited.

(**) 2 separated power supplies.

WATER HEATED

| Model | Airflow m ³ /h | P86 (80/60°C) | | P64 (60/40°C) | | P54 (50/40°C) | | Ventilation power 230V~50Hz kW | Ventilation current 230V~50Hz A | Noise level (5 m) dB(A) | Weight kg |
|----------------|------------------------------|------------------------------|---------------------------|------------------------------|---------------------------|------------------------------|---------------------------|--------------------------------------|---------------------------------------|-------------------------------|--------------|
| | | Water heating capacity kW | Water pressure drop Pa | Water heating capacity kW | Water pressure drop Pa | Water heating capacity kW | Water pressure drop Pa | | | | |
| ROTO B 1000 P | 2910 | 15,58 | 8280 | 12,44 | 8640 | 14,47 | 9820 | 0,523 | 3,8 | 62 | - |
| ROTO B 1500 P | 3880 | 19,71 | 630 | 18,55 | 5840 | 21,19 | 12380 | 0,697 | 5,07 | 63 | - |
| ROTO B 2000 P | 5820 | 31 | 1860 | 22,84 | 3860 | 30,77 | 10270 | 1,046 | 7,61 | 64 | - |
| ROTO B 2500 P | 6790 | 38,97 | 3440 | 31,79 | 7160 | 36,94 | 9570 | 1,22 | 8,87 | 65 | - |
| ROTO BB 1000 P | 3750 | 18,21 | 15190 | 15,16 | 16190 | 16,48 | 12180 | 0,873 | 3,87 | 65 | - |
| ROTO BB 1500 P | 5000 | 23,52 | 1200 | 21,87 | 10990 | 24,15 | 15260 | 1,164 | 5,16 | 66 | - |
| ROTO BB 2000 P | 7500 | 36,57 | 3470 | 31,13 | 7350 | 35,04 | 12680 | 1,746 | 7,74 | 67 | - |
| ROTO BB 2500 P | 8750 | 45,78 | 6370 | 38,96 | 13420 | 42,12 | 11880 | 2,037 | 9,03 | 68 | - |

Water heated:

P86, P64 2x1", P54 1500-2000 2x1" and 2500 2x1¼".

Connection pipes P86, P64 and P54 are male.

P86 2 rows coil, P64 3 rows coil, P54 4 rows coil.



Selection program

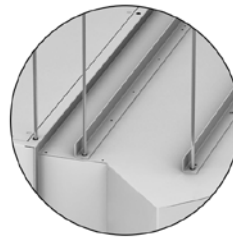


Installation configurations

Standard: Above the door

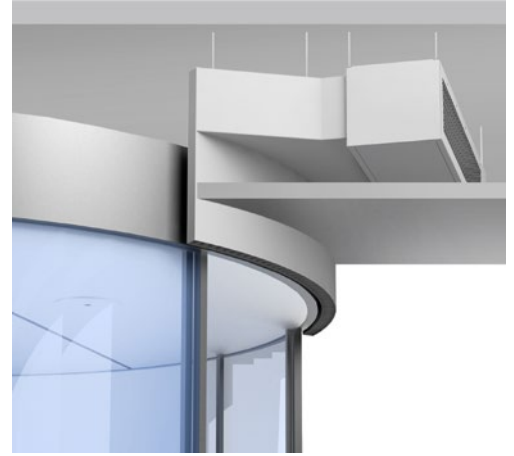


Mounted installation

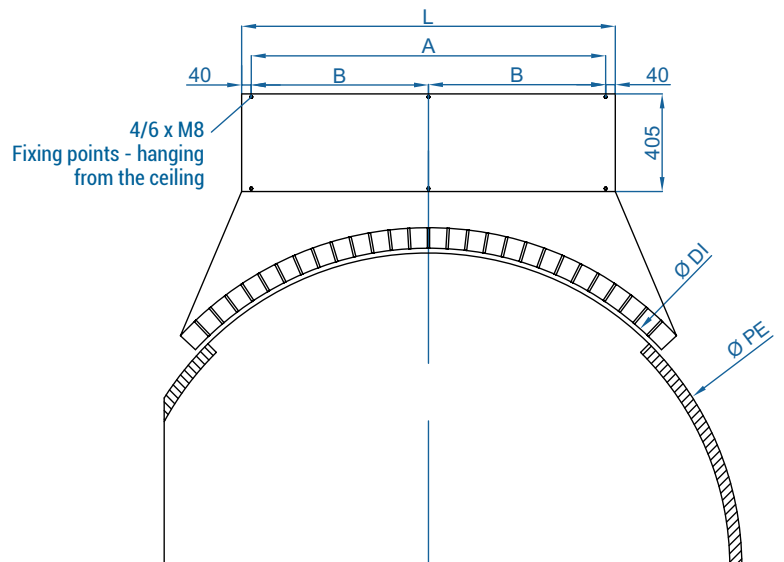
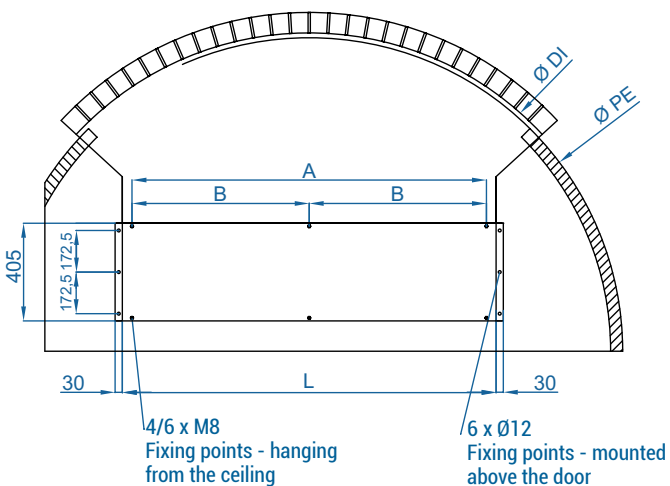
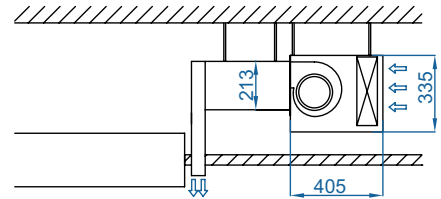
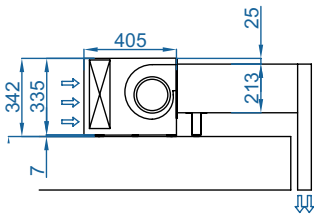


Hanging installation

Inverted: False ceiling mounting



Dimensions



| | L | I | A |
|--------------|------|------|--------|
| ROTO BB 1000 | 1050 | 970 | - |
| ROTO BB 1500 | 1550 | 1470 | 735 |
| ROTO BB 2000 | 2055 | 1975 | 987,5 |
| ROTO BB 2500 | 2555 | 2475 | 1237,5 |

| | |
|------|------------------------|
| Ø DI | Inside Outlet Diameter |
| Ø PE | External Door Diameter |

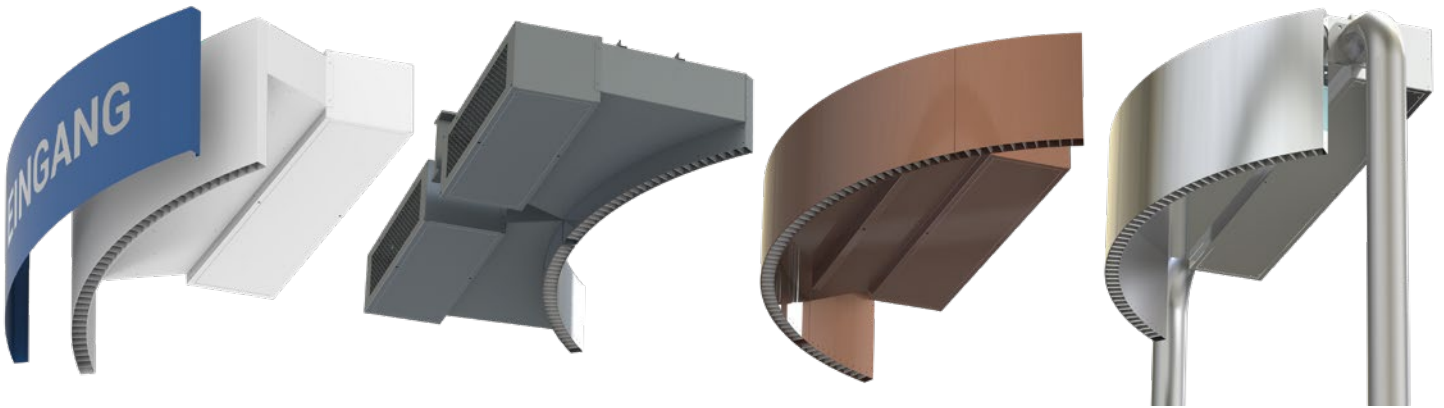
Customizable dimensions on request.



Tailor made finishes

ROTOWIND can be customized in the same color or material as the revolving door to match the interior or exterior aesthetics of the building. Optionally, it can be ordered with a front decorative cover, which can be painted in a different color or finish. It can also be customized with logos, graphics or signage.

Multiple options available for accessories and supports to adapt to the installation requirements.



Optional accessories

Supports and installation



Decorative front cover
(RAL Painted / SS)



Support angle
(top mounting)
✓ Included



Silentblock support
(top mounting)
✓ Included



Silentblock supports
SPANG-SIL / SLB



Suspension cables
SPCT



Round arm

Control



ADVANCED PRO
✓ Included



IR Control
✓ Included



RJ11 Cable
✓ Included



CLEVER PRO

Filters



Removable
prefilter G2

Sensors and valves



Magnetic door contact
MAG-DC
✓ Included



Mechanical door contact
MEG-DC



External Temperature
Sensor



Solenoid valve
V-S



Valve 3 ways
V-T



Proportional valve
V-ACT



Anti-freezing sensor
AFS-INS