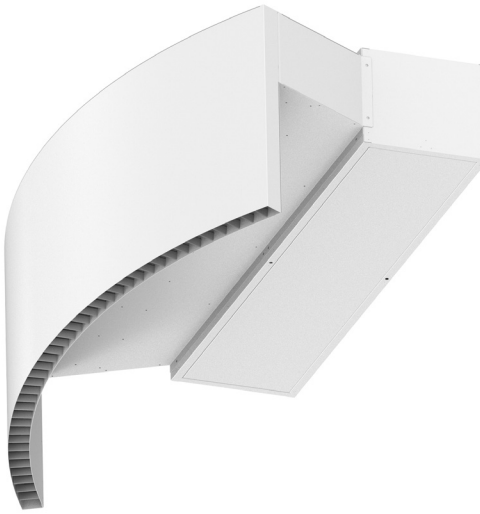




## Technical Features



Range  
**Up to 7 m**



Heating types  
**E : electrical 3 stages**  
**P : water**  
**A : unheated**  
**DX : heat pump [\*]**



Casing **[\*\*]**  
**Galvanised Steel**



Airflow / Length  
**3750 - 9380 m³/h**  
**1 m to 2,5 m**



Heating capacity  
**E : 6 - 46 kW**  
**P : 15,6 - 45,8 kW**



Grille type  
**Rectangular perforated**



Fans  
**Centrifugal**  
**5-speed**



Control  
**Plug&Play manual regulator**  
**+ IR remote control**  
**(Optional Clever Control)**



Outlet lamellas  
**Aluminium, airfoil type**  
**Adjustable 0-15° each side**

RAL 9016  
standard



Other colors  
on request



Stainless  
steel



[\*] Consult separate DX catalogs

[\*\*] Each air curtain is tailor made

ROTOWIND air curtains are custom designed to fit perfectly with the curvature of any revolving door. They can be mounted discreetly in two possible layout configurations, with tailored dimensions: standard (on top mounting) or inverted (false ceiling mounting).

Self-supporting casing construction finished in white colour RAL9016 as standard. Other colours or stainless steel are available on request. With large perforated inlet grille avoiding intensive maintenance.

This model works with the latest generation of double-inlet centrifugal high efficiency EC fans driven by an external rotor motor, with low noise level and very low consumption.

Includes Plug&Play control with 7m RJ45 cable and infrared remote control. Optionally can be regulated with Advanced Clever Control (programmable, automatic, intelligent, compatible with Modbus RTU for BMS).

### UNHEATED

Model	Airflow m³/h	Ventilation power 230V~50Hz kW	Ventilation current 230V~50Hz A	Noise level (5 m) dB(A)	Weight kg
ROTO BB 1000 A	4020	0,873	3,87	66	-
ROTO BB 1500 A	5360	1,164	5,16	67	-
ROTO BB 2000 A	8040	1,746	7,74	68	-
ROTO BB 2500 A	9380	2,037	9,03	69	-



## ⚡ ELECTRIC HEATED

Model	Airflow m³/h	Electrical heating capacity 400Vx3~50Hz (*) kW	Ventilation power 230V-50Hz kW	Ventilation current 230V-50Hz A	Noise level (5 m) dB(A)	Weight kg
ROTO BB 1000 E	4020	6/10/21	0,873	3,87	66	-
ROTO BB 1500 E	5360	8/19/27	1,164	5,16	67	-
ROTO BB 2000 E	8040	12/30/42 (**)	1,746	7,74	68	-
ROTO BB 2500 E	9380	16/30/46 (**)	2,037	9,03	69	-

(\*) Under request other electrical heating power can be limited.

(\*\*) 2 separated power supplies.

## 💧 WATER HEATED

Model	Airflow m³/h	P86 (80/60°C)		P64 (60/40°C)		P54 (50/40°C)		Ventilation power 230V~50Hz kW	Ventilation current 230V~50Hz A	Noise level (5 m) dB(A)	Weight kg
		Water heating capacity kW	Water pressure drop Pa	Water heating capacity kW	Water pressure drop Pa	Water heating capacity kW	Water pressure drop Pa				
ROTO BB 1000 P	3750	18,21	15190	15,16	16190	16,48	12180	0,873	3,87	65	-
ROTO BB 1500 P	5000	23,52	1200	21,87	10990	24,15	15260	1,164	5,16	66	-
ROTO BB 2000 P	7500	36,57	3470	31,13	7350	35,04	12680	1,746	7,74	67	-
ROTO BB 2500 P	8750	45,78	6370	38,96	13420	42,12	11880	2,037	9,03	68	-

Water heated:

P86, P64 2x1", P54 1500-2000 2x1" and 2500 2x1¼".

Connection pipes P86, P64 and P54 are male.

P86 2 rows coil, P64 3 rows coil, P54 4 rows coil.



Selection program

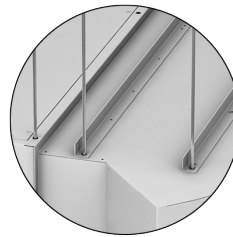


## Installation configurations

Standard: Above the door

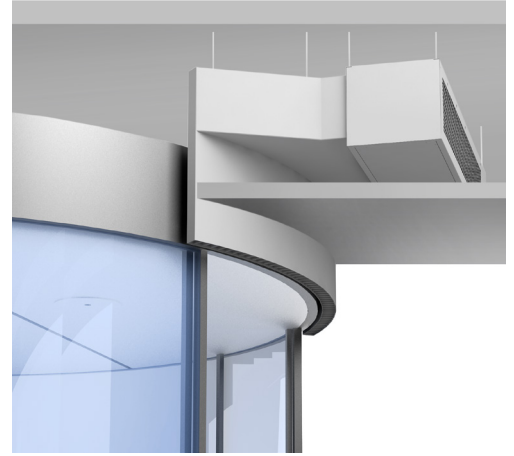


Mounted installation

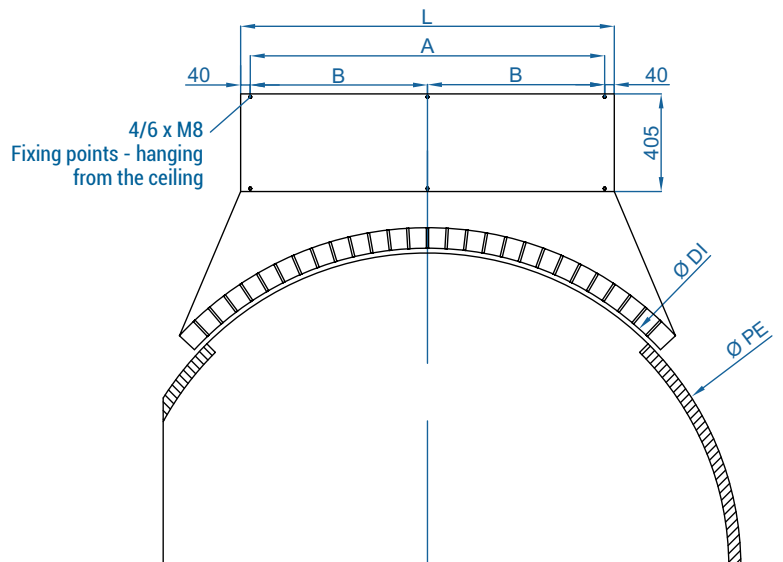
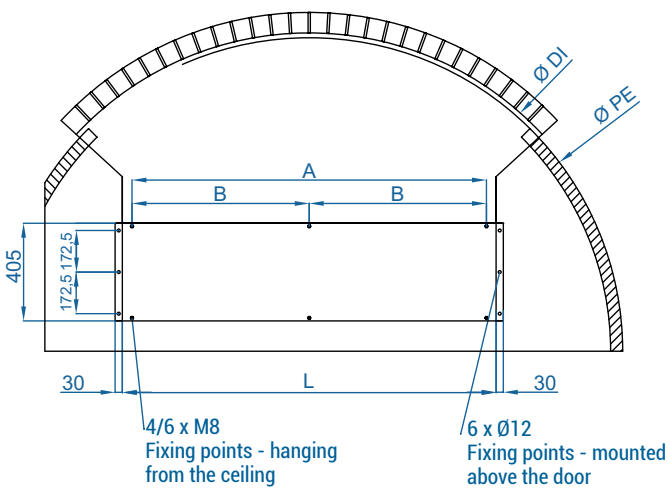
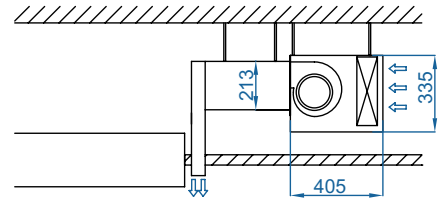
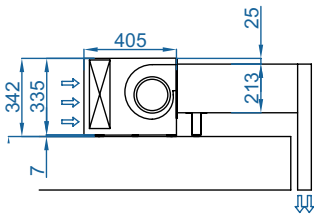


Hanging installation

Inverted: False ceiling mounting



## Dimensions



	L	I	A
ROTO BB 1000	1050	970	-
ROTO BB 1500	1550	1470	735
ROTO BB 2000	2055	1975	987,5
ROTO BB 2500	2555	2475	1237,5

Ø DI	Inside Outlet Diameter
Ø PE	External Door Diameter

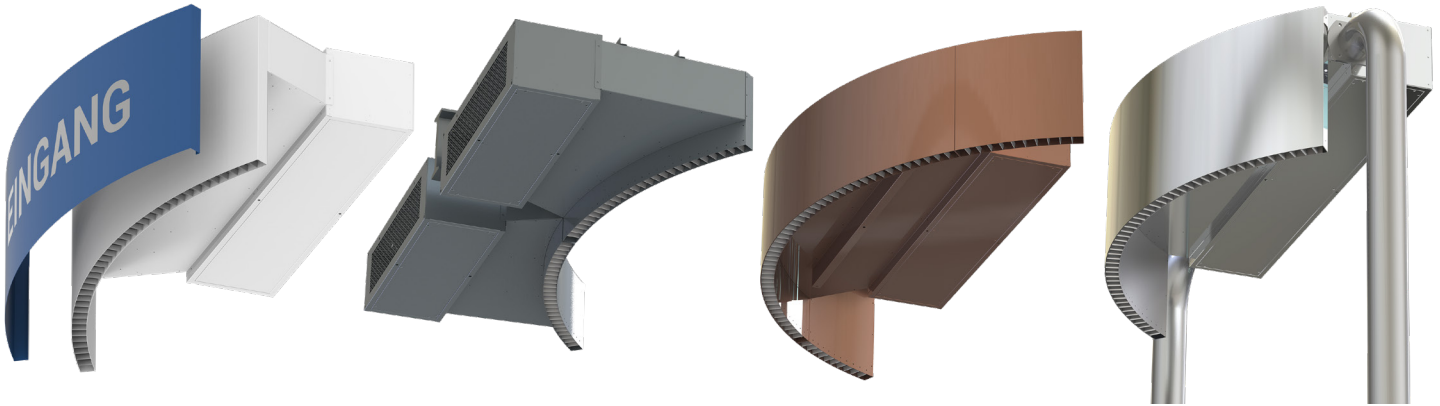
Customizable dimensions on request.



## Tailor made finishes

ROTOWIND can be customized in the same color or material as the revolving door to match the interior or exterior aesthetics of the building. Optionally, it can be ordered with a front decorative cover, which can be painted in a different color or finish. It can also be customized with logos, graphics or signage.

Multiple options available for accessories and supports to adapt to the installation requirements.

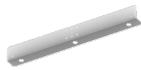


## Optional accessories

### Supports and installation



Decorative front cover  
(RAL Painted / SS)



Support angle  
(top mounting)  
✓ Included



Silentblock support  
(top mounting)  
✓ Included



Silentblock supports  
SPANG-SIL / SLB



Suspension cables  
SPCT



Round arm

### Control



IR Control  
✓ Included



Basic Control  
✓ Included



Clever Control Kit



RJ45 Cable  
✓ Included



Hand-Auto  
CH-5HW-NE



Ambient thermostat  
T6360



Interface kit  
IN-NE-II

### Filters



Removable  
prefilter G2

### Sensors and valves



Magnetic door contact  
MAG-DC



Mechanical door contact  
MEG-DC



External Temperature  
Sensor (Clever Control)



Solenoid valve  
V-S



Valve 3 ways  
V-T



Proportional valve  
V-ACT



Anti-freezing sensor  
AFS-INS