



Technical Features



RAL 9016
standard



Other colors
on request



Range
Up to 13,8 ft



Heating types
E : electrical 3 stages
P : water
A : unheated



Casing
Galvanised Steel [*]



Airflow / Length
853 - 4473 cfm
3,2 ft to 9,8 ft



Heating capacity
E : 6 - 30,5 kW
P : 25,08 - 140,14
kBtu/h



Grille type
Micro-perforated
with prefilter function



Fans
Centrifugal
5-speed



Control
Plug&Play manual regulator
+ IR remote control



Outlet lamellas
Aluminium, airfoil type
Adjustable 0-15° each side

[*] Customizable dimensions on request

SMART air curtain combines the best technological features with high quality design and finishes. Contemporary, discreet and elegant, it is provided with smooth frontal panel as the air entrance is hidden and placed at the upper side, out of sight, thus avoiding interior vision of the air curtain and the grille. SMART is halfway between the standard and the decorative range, and it is of great value for commercial and public spaces that need to ensure an efficient and sustainable climatization, without bursting into the interior architecture and design of the premises. Casing painted in RAL 9016. Other colors are available on request.

SMART works with double-inlet centrifugal fans driven by an external rotor motor with low noise level. EC models assembled with very low consumption efficiency fans.

Includes Plug&Play control with 23ft RJ45 cable, infrared remote control and magnetic door contact. For electrical heated models also includes thermostat.

CSA certified.

❄️ UNHEATED 208V-1ph~60Hz

Model	Airflow	Ventilation power	Ventilation current	Noise level	Weight
	cfm	208V-1ph~60Hz kW	208V-1ph~60Hz A	(5 m) dB(A)	
SMART M 1000 A	1089	0,221	1,07	52	75
SMART M 1500 A	1633	0,332	1,61	53	110,2
SMART M 2000 A	2177	0,442	2,14	54	136,7
SMART M 2500 A	2722	0,553	2,68	55	145,5
SMART M 3000 A	3266	0,663	3,21	56	167,6
SMART G 1000 A	1368	0,332	1,61	54	83,8
SMART G 1500 A	1824	0,442	2,14	55	121,3
SMART G 2000 A	2737	0,663	3,21	56	158,7
SMART G 2500 A	3193	0,774	3,75	57	167,6
SMART G 3000 A	3649	0,884	4,28	58	189,6
SMART ECG 1000 A	1589	0,319	2,79	58	83,8
SMART ECG 1500 A	2119	0,425	3,72	59	121,3
SMART ECG 2000 A	3178	0,638	5,58	60	158,7
SMART ECG 2500 A	3708	0,744	6,51	61	167,6
SMART ECG 3000 A	4237	0,851	7,44	62	189,6



❄️ UNHEATED 240V-1ph~60Hz

Model	Airflow	Ventilation power 240V-1ph~60Hz	Ventilation current 240V-1ph~60Hz	Noise level (5 m)	Weight
	cfm	kW	A	dB(A)	lb
SMART M 1000 A	1177	0,263	1,10	53	75
SMART M 1500 A	1766	0,395	1,65	54	110,2
SMART M 2000 A	2354	0,526	2,20	55	136,7
SMART M 2500 A	2943	0,658	2,75	56	145,5
SMART M 3000 A	3531	0,789	3,30	57	167,6
SMART G 1000 A	1457	0,395	1,65	55	83,8
SMART G 1500 A	1942	0,526	2,20	56	121,3
SMART G 2000 A	2913	0,789	3,30	57	158,7
SMART G 2500 A	3399	0,921	3,85	58	167,7
SMART G 3000 A	3884	1,052	4,40	59	189,6
SMART ECG 1000 A	1677	0,381	2,94	59	83,8
SMART ECG 1500 A	2236	0,508	3,92	60	121,3
SMART ECG 2000 A	3354	0,762	5,88	61	158,7
SMART ECG 2500 A	3914	0,889	6,86	62	167,6
SMART ECG 3000 A	4473	1,016	7,84	63	189,6

⚡ ELECTRIC HEATED 208V-1ph~60Hz

Model	Airflow cfm	Electrical heating capacity (*) 208V-3ph~60Hz	Electrical heating capacity (*) 460V-3ph~60Hz	Electrical heating capacity (*) 480V-3ph~60Hz	Electrical heating capacity (*) 575V-3ph~60Hz	Ventilation power 208V-1ph~60Hz	Ventilation current 208V-1ph~60Hz	Noise level (5 m)	Weight
		kW	kW	kW	kW	kW	A	dB(A)	lb
SMART M 1000 E	1059	2/4/6	2/4,5/6,5	2,5/5/7,5	3,5/3,5/7	0,221	1,07	52	90,4
SMART M 1500 E	1589	3/6/9	3/6,5/9,5	3,5/7/10,5	5/5/10	0,332	1,61	53	134,7
SMART M 2000 E	2119	4/8/12	4/8,5/12,5	4,5/9/13,5	6,5/6,5/13	0,442	2,14	54	176,4
SMART M 2500 E	2648	5/8/13	5/10/15	5,5/11/16,5	8/8/16	0,553	2,68	55	189,6
SMART M 3000 E	3178	6,5/8/14,5	6/12/18	6,5/13/19,5	9,5/9,5/19	0,663	3,21	56	218,3
SMART G 1000 E	1324	2,5/5/7,5	2,5/5/7,5	3/5,5/8,5	3,5/4/7,5	0,332	1,61	54	101,4
SMART G 1500 E	1766	3,5/6,5/10	3,5/7/10,5	4/7,5/11,5	5/5,5/10,5	0,442	2,14	55	149,9
SMART G 2000 E	2648	5/9/14	5/10,5/15,5	5,5/11/16,5	6,5/8/14,5	0,663	3,21	56	198,4
SMART G 2500 E	3090	5,5/9/14,5	6/12/18	6,5/13/19,5	8/9,5/17,5	0,774	3,75	57	211,6
SMART G 3000 E	3531	6,5/8/14,5	6/12/18	6,5/13/19,5	9,5/9,5/19	0,884	4,28	58	240,3
SMART ECG 1000 E	1589	4/8/12	4/8/12	4,3/8,7/13	4/8/12	0,319	2,79	58	101,4
SMART ECG 1500 E	2119	6/9,5/15,5	5,5/10,5/16	5,8/11,7/17,5	5,5/11/16,5	0,425	3,72	59	149,9
SMART ECG 2000 E	3178	5/9/14	8/16,5/24,5	8,8/17,7/26,5	8/16/24	0,638	5,58	60	198,4
SMART ECG 2500 E	3708	5,5/9/14,5	9,5/18,5/28	10,2/20,3/30,5	9,5/19/28,5	0,744	6,51	61	211,6
SMART ECG 3000 E	4237	6,5/8/14,5	9,5/18,5/28	10,2/20,3/30,5	9,5/19/28,5	0,851	7,44	62	240,3

(*) Under request other electrical heating power can be limited.

For 208V~3ph~60Hz air Curtains there is only needed to connect three-phase power supply.
For the rest of air curtains, there is needed to connect both three-phase (for electrical heating) and single phase (for fans).



ELECTRIC HEATED 240V-1ph~60Hz

Model	Airflow cfm	Electrical heating capacity (*) 208V-3ph~60Hz	Electrical heating capacity (*) 460V-3ph~60Hz	Electrical heating capacity (*) 480V-3ph~60Hz	Electrical heating capacity (*) 575V-3ph~60Hz	Ventilation power 240V-1ph~60Hz	Ventilation current 240V-1ph~60Hz	Noise level (5 m)	Weight lb
		kW	kW	kW	kW	kW	A	dB(A)	
SMART M 1000 E	1148	2,5/5/7,5	3,3/6,7/10	3,7/7,3/11	3,5/7/10,5	0,263	1,10	53	90,4
SMART M 1500 E	1721	3/6,5/9,5	4,8/9,7/14,5	5,2/10,3/15,5	5/10/15	0,395	1,65	54	134,7
SMART M 2000 E	2295	4/8/12	6,5/13/19,5	7/14/21	6,5/13/19,5	0,526	2,20	55	176,4
SMART M 2500 E	2869	5/8/13	8,2/16,3/24,5	8,8/17,7/26,5	8/16/24	0,658	2,75	56	189,6
SMART M 3000 E	3443	6,5/8/14,5	9,3/18,7/28	10,3/20,3/30,5	9,5/19/28,5	0,789	3,30	57	218,3
SMART G 1000 E	1412	4/8/12	4/8/12	4,3/8,7/13	4/8/12	0,395	1,65	55	101,4
SMART G 1500 E	1883	6/9,5/15,5	5,3/10,7/16	5,8/11,7/17,5	5,5/11/16,5	0,526	2,20	56	149,9
SMART G 2000 E	2825	5/9/14	8,2/16,3/24,5	8,8/17,7/26,5	8/16/24	0,789	3,30	57	198,4
SMART G 2500 E	3296	5,5/9/14,5	9,3/18,7/28	10,2/20,3/30,5	9,5/19/28,5	0,921	3,85	58	211,6
SMART G 3000 E	3766	6,5/8/14,5	9,3/18,7/28	10,2/20,3/30,5	9,5/19/28,5	1,052	4,40	59	240,3
SMART ECG 1000 E	1633	4/8/12	4/8/12	4,3/8,7/13	4/8/12	0,381	2,94	59	101,4
SMART ECG 1500 E	2177	6/9,5/15,5	5,3/10,7/16	5,8/11,7/17,5	5,5/11/16,5	0,508	3,92	60	149,9
SMART ECG 2000 E	3266	5/9/14	8,2/16,3/24,5	8,8/17,7/26,5	8/16/24	0,762	5,88	61	198,4
SMART ECG 2500 E	3811	5,5/9/14,5	9,3/18,7/28	10,2/20,3/30,5	9,5/19/28,5	0,889	6,86	62	211,6
SMART ECG 3000 E	4355	6,5/8/14,5	9,3/18,7/28	10,2/20,3/30,5	9,5/19/28,5	1,016	7,84	63	240,3

(*) Under request other electrical heating power can be limited.

WATER HEATED 208V-1ph~60Hz


Model	Airflow cfm	P86 (176/140°F)		P64 (140/104°F)		P54 (122/104°F)		Ventilation power (*) kW	Ventilation current (*) A	Noise level (5 m) dB(A)	Weight lb
		Water heating capacity kBtu/h	Water pressure drop psi	Water heating capacity kBtu/h	Water pressure drop psi	Water heating capacity kBtu/h	Water pressure drop psi				
SMART M 1000 P	853	28,73	0,11	25,45	0,54	25,08	0,15	0,221	1,07	53	86
SMART M 1500 P	1280	44,66	0,09	40,64	0,80	42,24	0,55	0,332	1,61	54	127,9
SMART M 2000 P	1707	64,69	0,24	54,18	0,59	54,9	0,25	0,442	2,14	55	160,9
SMART M 2500 P	2133	84,31	0,47	67,56	0,47	71,59	0,49	0,553	2,68	56	174,2
SMART M 3000 P	2560	104,04	0,82	84,14	0,83	87,62	0,69	0,663	3,21	57	200,6
SMART G 1000 P	1103	33,75	0,15	30,13	0,73	30,23	0,21	0,332	1,61	54	97
SMART G 1500 P	1471	48,79	0,11	44,63	0,94	46,75	0,65	0,442	2,14	55	141,1
SMART G 2000 P	2207	76,06	0,32	64,35	0,80	66,2	0,35	0,663	3,21	56	183
SMART G 2500 P	2575	94,99	0,59	76,7	0,59	82,13	0,63	0,774	3,75	57	191,8
SMART G 3000 P	2943	113,73	0,96	92,47	0,99	97,04	0,83	0,884	4,28	58	218,3
SMART ECG 1000 P	1501	40,57	0,20	36,61	1,03	37,36	0,30	0,320	2,86	58	97
SMART ECG 1500 P	2001	59	0,16	54,49	1,34	58,07	0,96	0,427	3,81	59	141,1
SMART ECG 2000 P	3001	91,68	0,45	78,45	1,14	82,06	0,51	0,640	5,72	60	183
SMART ECG 2500 P	3502	114,78	0,82	93,77	0,85	102,02	0,92	0,747	6,67	61	191,8
SMART ECG 3000 P	4002	137,68	1,35	113,15	1,41	120,79	1,22	0,854	7,63	62	218,3

Water heated: connection pipes P86 and P64 are 2x3/4" female (male if lateral pipes), P54 2x1" male.

P86 2 rows coil, P64 3 rows coil, P54 4 rows coil.

(*) Voltage 208-1ph~60Hz



 WATER HEATED 240V-1ph~60Hz

Model	Airflow cfm	P86 (176/140°F)		P64 (140/104°F)		P54 (122/104°F)		Ventilation power (*) kW	Ventilation current (*) A	Noise level (5 m) dB(A)	Weight lb
		Water heat- ing capacity kBtu/h	Water pres- sure drop psi	Water heat- ing capacity kBtu/h	Water pres- sure drop psi	Water heat- ing capacity kBtu/h	Water pres- sure drop psi				
SMART M 1000 P	971	31,19	0,13	27,71	0,63	27,57	0,18	0,263	1,10	54	86
SMART M 1500 P	1457	48,49	0,11	44,33	0,93	46,41	0,65	0,395	1,65	55	127,9
SMART M 2000 P	1942	70,22	0,28	59,13	0,69	60,36	0,30	0,526	2,20	56	160,9
SMART M 2500 P	2428	91,55	0,55	73,77	0,55	78,72	0,58	0,658	2,75	57	174,2
SMART M 3000 P	2913	113,01	0,95	91,85	0,97	96,32	0,82	0,789	3,3	58	200,6
SMART G 1000 P	1324	37,67	0,18	33,85	0,90	34,33	0,26	0,395	1,65	55	97
SMART G 1500 P	1766	54,66	0,14	50,29	1,16	53,23	0,82	0,526	2,20	56	141,1
SMART G 2000 P	2648	85,03	0,39	72,44	0,99	75,27	0,44	0,789	3,30	57	183
SMART G 2500 P	3090	106,36	0,72	86,5	0,74	93,53	0,79	0,921	3,85	58	191,8
SMART G 3000 P	3531	127,48	1,18	104,34	1,22	110,62	1,04	1,052	4,40	59	218,3
SMART ECG 1000 P	1545	41,25	0,21	37,26	1,06	38,11	0,31	0,381	2,94	59	97
SMART ECG 1500 P	2060	60,02	0,16	55,52	1,39	59,23	0,51	0,508	3,92	60	141,1
SMART ECG 2000 P	3090	93,29	0,46	79,91	1,18	83,7	0,53	0,762	5,88	61	183
SMART ECG 2500 P	3605	116,8	0,85	95,51	0,88	104,1	0,96	0,889	6,86	62	191,8
SMART ECG 3000 P	4120	140,14	1,39	115,3	1,46	123,25	1,26	1,016	7,84	63	218,3

Water heated: connection pipes P86 and P64 are 2x3/4" female (male if lateral pipes), P54 2x1" male.

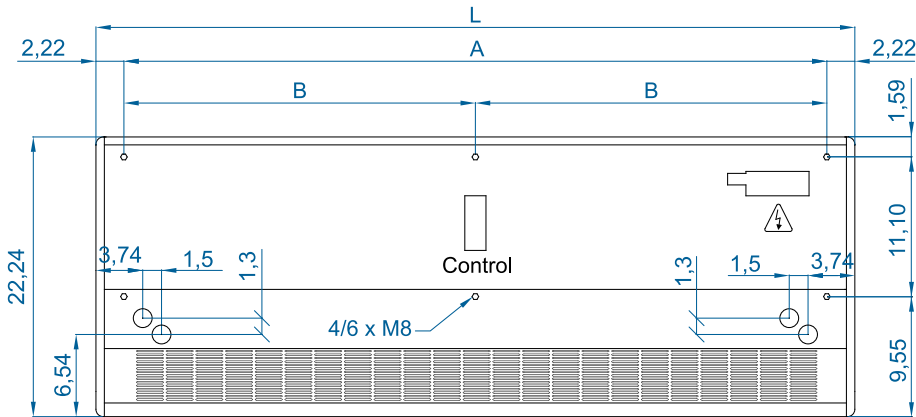
P86 2 rows coil, P64 3 rows coil, P54 4 rows coil.

(*) Voltage 240-1ph~60Hz



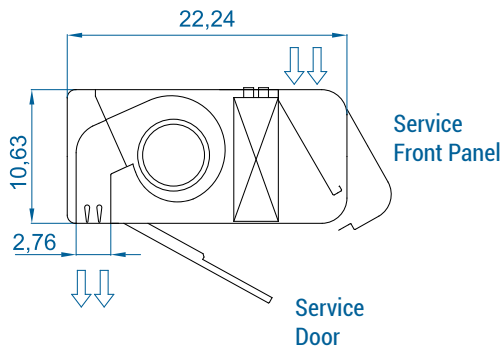
Selection program

Dimensions



	L	A	B
SMART 1000	40,71	36,22	-
SMART 1500	60,39	55,91	27,95
SMART 2000	80,08	75,59	37,79
SMART 2500	99,76	95,28	47,64
SMART 3000	119,45	114,96	57,48

Customizable dimensions on request.



Smooth or customizable front panel
with logos, lighting or signage

Optional accessories

CAD drawings, installation manuals
and other documentation



Supports and installation



Wall rail support
SPWR



Silentblock supports
SPANG-SIL / SLB



Suspension cables
SPCT

Control



IR Control
✓ Included



Basic Control
✓ Included



RJ45 Cable
✓ Included



Hand-Auto
CH-5HW-NE



Interface kit
IN-NE-II

Sensors



Magnetic
door contact MAG-DC
✓ Included



Mechanical
door contact MEC-DC