



## Technical Features



RAL 9016  
standard



Other colors  
on request



Range  
**Up to 4,2 m**



Heating types  
**E : electrical 3 stages**  
**P : water**  
**A : unheated**



Casing  
**Galvanised Steel**



Airflow / Length  
**1450 - 6650 m3/h**  
**1 m to 2,5 m**



Heating capacity  
**E : 2 - 30,5 kW**  
**P : 7,35 - 34,23 kW**



Grille type  
**Micro-perforated**  
**with prefilter function**



Fans  
**Centrifugal**  
**5-speed**



Control  
**Plug&Play manual regulator**  
**+ IR remote control**



Outlet lamellas  
**Aluminium, airfoil type**  
**Adjustable 0-15° each side**

RECESSED WINDBOX is a high pressure compact and robust air curtain from our standard range with a timeless and visually pleasing design. It is specially designed for recessed installation in false ceilings. It is a suitable air curtain for all types of commercial entrances.

Inlet grille made with aluminium profiles and blow-out nozzle, integrated in a single white frame colour RAL 9016. Other colours are available on request.

This air curtain model works with double-inlet centrifugal fans driven by an external rotor motor with low noise level. EC models assembled with very low consumption efficiency fans.


Includes Plug&Play control with 7 m RJ45 cable, infrared remote control and magnetic door contact. For electrical heated models also includes thermostat.

CSA certified.

❄️ UNHEATED 208V-1ph~60Hz

Model	Airflow m3/h	Ventilation power 208V-1ph~60Hz kW	Ventilation current 208V-1ph~60Hz A	Noise level (5 m) dB(A)	Weight kg
RM 1000 A	1850	0,221	1,07	54	57
RM 1500 A	2775	0,332	1,61	55	85
RM 2000 A	3700	0,442	2,14	56	109
RM 2500 A	4625	0,553	2,68	57	137
RG 1000 A	2325	0,332	1,61	56	61
RG 1500 A	3100	0,442	2,14	57	90
RG 2000 A	4650	0,663	3,21	58	118
RG 2500 A	5425	0,774	3,75	59	145
RECG 1000 A	2700	0,319	2,79	60	61
RECG 1500 A	3600	0,425	3,72	61	90
RECG 2000 A	5400	0,638	5,58	62	118
RECG 2500 A	6300	0,744	6,51	63	145



 UNHEATED 240V-1ph~60Hz

Model	Airflow	Ventilation power 240V-1ph~60Hz	Ventilation current 240V-1ph~60Hz	Noise level (5 m)	Weight
	m3/h	kW	A	dB(A)	
RM 1000 A	2000	0,263	1,10	55	57
RM 1500 A	3000	0,395	1,65	56	85
RM 2000 A	4000	0,526	2,20	57	109
RM 2500 A	5000	0,658	2,75	58	137
RG 1000 A	2475	0,395	1,65	57	61
RG 1500 A	3300	0,526	2,20	58	90
RG 2000 A	4950	0,789	3,30	59	118
RG 2500 A	5775	0,921	3,85	60	145
RECG 1000 A	2850	0,381	2,94	61	61
RECG 1500 A	3800	0,508	3,92	62	90
RECG 2000 A	5700	0,762	5,88	63	118
RECG 2500 A	6650	0,889	6,86	64	145

 ELECTRIC HEATED 208V-1ph~60Hz

Model	Airflow m3/h	Electrical heating capacity (*) 208V-3ph~60Hz	Electrical heating capacity (*) 460V-3ph~60Hz	Electrical heating capacity (*) 480V-3ph~60Hz	Electrical heating capacity (*) 575V-3ph~60Hz	Ventilation power 208V-1ph~60Hz	Ventilation current 208V-1ph~60Hz	Noise level (5 m) dB(A)	Weight kg
		kW	kW	kW	kW	kW	A		
RM 1000 E	1800	2/4/6	2/4,5/6,5	2,5/5/7,5	3,5/3,5/7	0,221	1,07	54	65
RM 1500 E	2700	3/6/9	3/6,5/9,5	3,5/7/10,5	5/5/10	0,332	1,61	55	98
RM 2000 E	3600	4/8/12	4/8,5/12,5	4,5/9/13,5	6,5/6,5/13	0,442	2,14	56	130
RM 2500 E	4500	5/8/13	5/10/15	5,5/11/16,5	8/8/16	0,553	2,68	57	162
RG 1000 E	2250	2,5/5/7,5	2,5/5/7,5	3/5,5/8,5	3,5/4/7,5	0,332	1,61	56	70
RG 1500 E	3000	3,5/6,5/10	3,5/7/10,5	4/7,5/11,5	5/5,5/10,5	0,442	2,14	57	104
RG 2000 E	4500	5/9/14	5/10,5/15,5	5,5/11/16,5	6,5/8/14,5	0,663	3,21	58	140
RG 2500 E	5250	5,5/9/14,5	6/12/18	6,5/13/19,5	8/9,5/17,5	0,774	3,75	59	172
RECG 1000 E	2700	4/8/12	4/8/12	4,3/8,7/13	4/8/12	0,319	2,79	60	70
RECG 1500 E	3600	6/9,5/15,5	5,5/10,5/16	5,8/11,7/17,5	5,5/11/16,5	0,425	3,72	61	104
RECG 2000 E	5400	5/9/14	8/16,5/24,5	8,8/17,7/26,5	8/16/24	0,638	5,58	62	140
RECG 2500 E	6300	5,5/9/14,5	9,5/18,5/28	10,2/20,3/30,5	9,5/19/28,5	0,744	6,51	63	172

(\*) Under request other electrical heating power can be limited.

For 208V~3ph~60Hz air curtains there is only needed to connect three-phase power supply.


For the rest of air curtains, there is needed to connect both three-phase (for electrical heating) and single phase (for fans).

 ELECTRIC HEATED 240V-1ph~60Hz

Model	Airflow m3/h	Electrical heating capacity (*) 208V-3ph~60Hz	Electrical heating capacity (*) 460V-3ph~60Hz	Electrical heating capacity (*) 480V-3ph~60Hz	Electrical heating capacity (*) 575V-3ph~60Hz	Ventilation power 240V-1ph~60Hz	Ventilation current 240V-1ph~60Hz	Noise level (5 m) dB(A)	Weight kg
		kW	kW	kW	kW	kW	A		
RM 1000 E	1950	2,5/5/7,5	3,3/6,7/10	3,7/7,3/11	3,5/7/10,5	0,263	1,10	55	65
RM 1500 E	2925	3/6,5/9,5	4,8/9,7/14,5	5,2/10,3/15,5	5/10/15	0,395	1,65	56	98
RM 2000 E	3900	4/8/12	6,5/13/19,5	7/14/21	6,5/13/19,5	0,526	2,20	57	130
RM 2500 E	4875	5/8/13	8,2/16,3/24,5	8,8/17,7/26,5	8/16/24	0,658	2,75	58	162
RG 1000 E	2400	4/8/12	4/8/12	4,3/8,7/13	4/8/12	0,395	1,65	57	70
RG 1500 E	3200	6/9,5/15,5	5,3/10,7/16	5,8/11,7/17,5	5,5/11/16,5	0,526	2,20	58	104
RG 2000 E	4800	5/9/14	8,2/16,3/24,5	8,8/17,7/26,5	8/16/24	0,789	3,30	59	140
RG 2500 E	5600	5,5/9/14,5	9,3/18,7/28	10,2/20,3/30,5	9,5/19/28,5	0,921	3,85	60	172
RECG 1000 E	2775	4/8/12	4/8/12	4,3/8,7/13	4/8/12	0,381	2,94	61	70
RECG 1500 E	3700	6/9,5/15,5	5,3/10,7/16	5,8/11,7/17,5	5,5/11/16,5	0,508	3,92	62	104
RECG 2000 E	5550	5/9/14	8,2/16,3/24,5	8,8/17,7/26,5	8/16/24	0,762	5,88	63	140
RECG 2500 E	6475	5,5/9/14,5	9,3/18,7/28	10,2/20,3/30,5	9,5/19/28,5	0,889	6,86	64	172

(\*) Under request other electrical heating power can be limited.



 WATER HEATED 208V-1ph~60Hz

Model	Airflow m3/h	P86 (80/60°C)		P64 (60/40°C)		P54 (50/40°C)		Ventilation power (*) kW	Ventilation current (*) A	Noise level (5 m) dB(A)	Weight kg
		Water heating capacity kW	Water pressure drop Pa	Water heating capacity kW	Water pressure drop Pa	Water heating capacity kW	Water pressure drop Pa				
RM 1000 P	1450	8,42	760	7,46	3730	7,35	1030	0,221	1,07	55	63
RM 1500 P	2175	13,09	650	11,91	5510	12,38	3770	0,332	1,61	56	93
RM 2000 P	2900	18,96	1660	15,89	4070	16,09	1720	0,442	2,14	57	122
RM 2500 P	3625	24,71	3270	19,8	3270	20,98	3390	0,553	2,68	58	153
RG 1000 P	1875	9,89	1010	8,83	5040	8,86	1430	0,332	1,61	56	67
RG 1500 P	2500	14,3	770	13,08	6490	13,7	4510	0,442	2,14	57	98
RG 2000 P	3750	22,29	2210	18,86	5530	19,4	2410	0,663	3,21	58	131
RG 2500 P	4375	27,84	4040	22,48	4100	24,07	4330	0,774	3,75	59	163
RECG 1000 P	2550	11,89	1400	10,73	7110	10,95	2090	0,320	2,86	60	67
RECG 1500 P	3400	17,29	1070	15,97	9240	17,02	6630	0,427	3,81	61	98
RECG 2000 P	5100	26,87	3080	22,99	7850	24,05	3530	0,640	5,72	62	131
RECG 2500 P	5950	33,64	5640	27,48	5840	29,9	6370	0,747	6,67	63	163

Water heated: connection pipes P86 and P64 are 2x3/4" female (male if lateral pipes), P54 2x1" male.

P86 2 rows coil, P64 3 rows coil, P54 4 rows coil.

(\*) Voltage 208-1ph~60Hz

 WATER HEATED 240V-1ph~60Hz

Model	Airflow m3/h	P86 (80/60°C)		P64 (60/40°C)		P54 (50/40°C)		Ventilation power (*) kW	Ventilation current (*) A	Noise level (5 m) dB(A)	Weight kg
		Water heating capacity kW	Water pressure drop Pa	Water heating capacity kW	Water pressure drop Pa	Water heating capacity kW	Water pressure drop Pa				
RM 1000 P	1650	9,14	880	8,12	4340	8,08	1220	0,263	1,10	56	63
RM 1500 P	2475	14,21	760	12,99	6420	13,6	4450	0,395	1,65	57	93
RM 2000 P	3300	20,58	1920	17,33	4750	17,69	2040	0,526	2,20	58	122
RM 2500 P	4125	26,83	3790	21,62	3820	23,07	4010	0,658	2,75	59	153
RG 1000 P	2250	11,04	1230	9,92	6190	10,06	1800	0,395	1,65	57	67
RG 1500 P	3000	16,02	940	14,74	8020	15,6	5680	0,526	2,20	58	98
RG 2000 P	4500	24,92	2700	21,23	6820	22,06	3030	0,789	3,30	59	131
RG 2500 P	5250	31,17	4940	25,35	5070	27,41	5450	0,921	3,85	60	163
RECG 1000 P	2625	12,09	1450	10,92	7340	11,17	2160	0,381	2,94	61	67
RECG 1500 P	3500	17,59	1110	16,27	9550	17,36	3500	0,508	3,92	62	98
RECG 2000 P	5250	27,34	3180	23,42	8110	24,53	3660	0,762	5,88	63	131
RECG 2500 P	6125	34,23	5830	27,99	6040	30,51	6600	0,889	6,86	64	163

Water heated: connection pipes P86 and P64 are 2x3/4" female (male if lateral pipes), P54 2x1" male.

P86 2 rows coil, P64 3 rows coil, P54 4 rows coil.

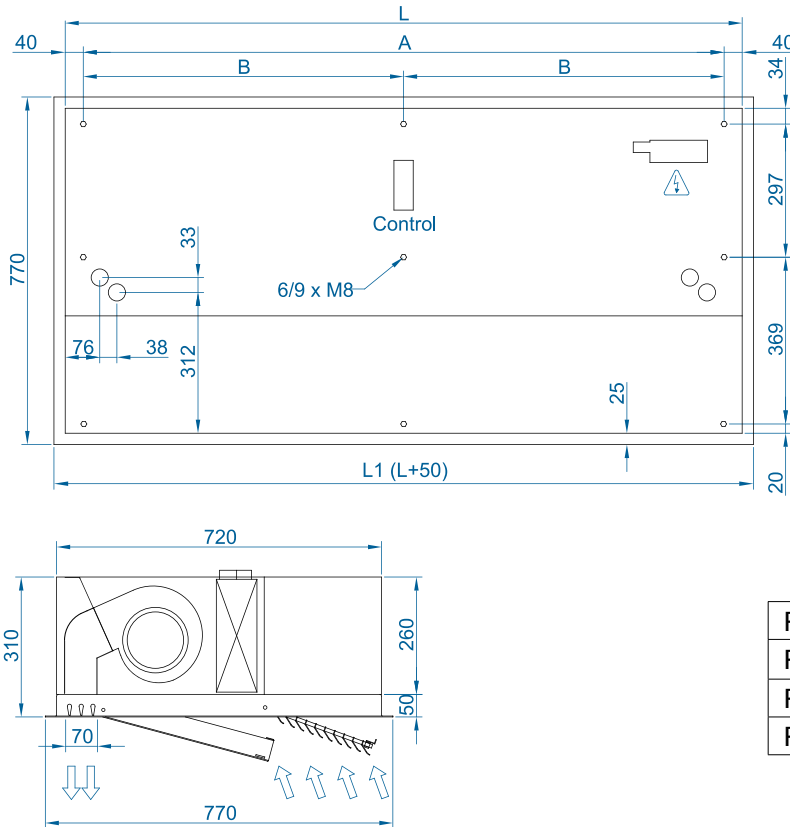
(\*) Voltage 240-1ph~60Hz



Selection program



## Dimensions



	L	L1	A	B
RWIN 1000	1000	1050	920	-
RWIN 1500	1500	1550	1420	710
RWIN 2000	2000	2050	1920	960
RWIN 2500	2500	2550	2420	1210

CAD drawings, installation manuals  
and other documentation



## Optional accessories

### Supports and installation



Wall rail support  
SPWR



Silentblock supports  
SPANG-SIL / SLB



Suspension cables  
SPCT

### Control



IR Control  
✓ Included



Basic Control  
✓ Included



RJ45 Cable  
✓ Included



Hand-Auto  
CH-5HW-NE



Interface kit  
IN-NE-II

### Sensors



Magnetic  
door contact MAG-DC  
✓ Included



Mechanical  
door contact MEC-DC