



Technical Features



RAL 9016
standard



Other colors
on request



Range
Up to 4,2 m



Heating types
E : electrical 3 stages
P : water
A : unheated



Casing
Galvanised Steel [*]



Airflow / Length
1450 - 7600 m3/h
1 m to 3 m



Heating capacity
E : 2 - 30,5 kW
P : 7,35 - 41,07 kW



Grille type
**Micro-perforated
with prefilter function**



Fans
Centrifugal
5-speed



Control
Plug&Play manual regulator
+ IR remote control



Outlet lamellas
Aluminium, airfoil type
Adjustable 0-15° each side

[*] Customizable dimensions on request

SMART air curtain combines the best technological features with high quality design and finishes. Contemporary, discreet and elegant, it is provided with smooth frontal panel as the air entrance is hidden and placed at the upper side, out of sight, thus avoiding interior vision of the air curtain and the grille. SMART is halfway between the standard and the decorative range, and it is of great value for commercial and public spaces that need to ensure an efficient and sustainable climatization, without bursting into the interior architecture and design of the premises. Casing painted in RAL 9016. Other colors are available on request.

SMART works with double-inlet centrifugal fans driven by an external rotor motor with low noise level. EC models assembled with very low consumption efficiency fans.

Includes Plug&Play control with 7 m RJ45 cable, infrared remote control and magnetic door contact. For electrical heated models also includes thermostat.

CSA certified.

❄ UNHEATED 208V-1ph~60Hz

Model	Airflow	Ventilation power	Ventilation current	Noise level	Weight
	m3/h	208V-1ph~60Hz kW	208V-1ph~60Hz A	(5 m) dB(A)	
SMART M 1000 A	1850	0,221	1,07	52	34
SMART M 1500 A	2775	0,332	1,61	53	50
SMART M 2000 A	3700	0,442	2,14	54	62
SMART M 2500 A	4625	0,553	2,68	55	66
SMART M 3000 A	5550	0,663	3,21	56	76
SMART G 1000 A	2325	0,332	1,61	54	38
SMART G 1500 A	3100	0,442	2,14	55	55
SMART G 2000 A	4650	0,663	3,21	56	72
SMART G 2500 A	5425	0,774	3,75	57	76
SMART G 3000 A	6200	0,884	4,28	58	86
SMART ECG 1000 A	2700	0,319	2,79	58	38
SMART ECG 1500 A	3600	0,425	3,72	59	55
SMART ECG 2000 A	5400	0,638	5,58	60	72
SMART ECG 2500 A	6300	0,744	6,51	61	76
SMART ECG 3000 A	7200	0,851	7,44	62	86



❄️ UNHEATED 240V-1ph~60Hz

Model	Airflow	Ventilation power 240V-1ph~60Hz	Ventilation current 240V-1ph~60Hz	Noise level (5 m)	Weight
	m3/h	kW	A	dB(A)	kg
SMART M 1000 A	2000	0,263	1,10	53	34
SMART M 1500 A	3000	0,395	1,65	54	50
SMART M 2000 A	4000	0,526	2,20	55	62
SMART M 2500 A	5000	0,658	2,75	56	66
SMART M 3000 A	6000	0,789	3,30	57	76
SMART G 1000 A	2475	0,395	1,65	55	38
SMART G 1500 A	3300	0,526	2,20	56	55
SMART G 2000 A	4950	0,789	3,30	57	72
SMART G 2500 A	5775	0,921	3,85	58	76
SMART G 3000 A	6600	1,052	4,40	59	86
SMART ECG 1000 A	2850	0,381	2,94	59	38
SMART ECG 1500 A	3800	0,508	3,92	60	55
SMART ECG 2000 A	5700	0,762	5,88	61	72
SMART ECG 2500 A	6650	0,889	6,86	62	76
SMART ECG 3000 A	7600	1,016	7,84	63	86

⚡ ELECTRIC HEATED 208V-1ph~60Hz

Model	Airflow m3/h	Electrical heating capacity (*) 208V-3ph~60Hz	Electrical heating capacity (*) 460V-3ph~60Hz	Electrical heating capacity (*) 480V-3ph~60Hz	Electrical heating capacity (*) 575V-3ph~60Hz	Ventilation power 208V-1ph~60Hz	Ventilation current 208V-1ph~60Hz	Noise level (5 m)	Weight kg
		kW	kW	kW	kW	kW	A	dB(A)	
SMART M 1000 E	1800	2/4/6	2/4,5/6,5	2,5/5/7,5	3,5/3,5/7	0,221	1,07	52	41
SMART M 1500 E	2700	3/6/9	3/6,5/9,5	3,5/7/10,5	5/5/10	0,332	1,61	53	62
SMART M 2000 E	3600	4/8/12	4/8,5/12,5	4,5/9/13,5	6,5/6,5/13	0,442	2,14	54	80
SMART M 2500 E	4500	5/8/13	5/10/15	5,5/11/16,5	8/8/16	0,553	2,68	55	86
SMART M 3000 E	5850	6,5/8/14,5	6/12/18	6,5/13/19,5	9,5/9,5/19	0,663	3,21	56	99
SMART G 1000 E	2250	2,5/5/7,5	2,5/5/7,5	3/5,5/8,5	3,5/4/7,5	0,332	1,61	54	46
SMART G 1500 E	3000	3,5/6,5/10	3,5/7/10,5	4/7,5/11,5	5/5,5/10,5	0,442	2,14	55	68
SMART G 2000 E	4500	5/9/14	5/10,5/15,5	5,5/11/16,5	6,5/8/14,5	0,663	3,21	56	90
SMART G 2500 E	5250	5,5/9/14,5	6/12/18	6,5/13/19,5	8/9,5/17,5	0,774	3,75	57	96
SMART G 3000 E	6000	6,5/8/14,5	6/12/18	6,5/13/19,5	9,5/9,5/19	0,884	4,28	58	109
SMART ECG 1000 E	2700	4/8/12	4/8/12	4,3/8,7/13	4/8/12	0,319	2,79	58	46
SMART ECG 1500 E	3600	6/9,5/15,5	5,5/10,5/16	5,8/11,7/17,5	5,5/11/16,5	0,425	3,72	59	68
SMART ECG 2000 E	5400	5/9/14	8/16,5/24,5	8,8/17,7/26,5	8/16/24	0,638	5,58	60	90
SMART ECG 2500 E	6300	5,5/9/14,5	9,5/18,5/28	10,2/20,3/30,5	9,5/19/28,5	0,744	6,51	61	96
SMART ECG 3000 E	7200	6,5/8/14,5	9,5/18,5/28	10,2/20,3/30,5	9,5/19/28,5	0,851	7,44	62	109

(*) Under request other electrical heating power can be limited.

For 208V~3ph~60Hz air Curtains there is only needed to connect three-phase power supply.

For the rest of air curtains, there is needed to connect both three-phase (for electrical heating) and single phase (for fans).



ELECTRIC HEATED 240V-1ph~60Hz

Model	Airflow m3/h	Electrical heating capacity (*) 208V-3ph~60Hz	Electrical heating capacity (*) 460V-3ph~60Hz	Electrical heating capacity (*) 480V-3ph~60Hz	Electrical heating capacity (*) 575V-3ph~60Hz	Ventilation power 240V-1ph~60Hz	Ventilation current 240V-1ph~60Hz	Noise level (5 m) dB(A)	Weight kg
		kW	kW	kW	kW	kW	A		
SMART M 1000 E	1950	2,5/5/7,5	3,3/6,7/10	3,7/7,3/11	3,5/7/10,5	0,263	1,10	53	41
SMART M 1500 E	2925	3/6,5/9,5	4,8/9,7/14,5	5,2/10,3/15,5	5/10/15	0,395	1,65	54	62
SMART M 2000 E	3900	4/8/12	6,5/13/19,5	7/14/21	6,5/13/19,5	0,526	2,20	55	80
SMART M 2500 E	4875	5/8/13	8,2/16,3/24,5	8,8/17,7/26,5	8/16/24	0,658	2,75	56	86
SMART M 3000 E	5850	6,5/8/14,5	9,3/18,7/28	10,3/20,3/30,5	9,5/19/28,5	0,789	3,30	57	99
SMART G 1000 E	2400	4/8/12	4/8/12	4,3/8,7/13	4/8/12	0,395	1,65	55	46
SMART G 1500 E	3200	6/9,5/15,5	5,3/10,7/16	5,8/11,7/17,5	5,5/11/16,5	0,526	2,20	56	68
SMART G 2000 E	4800	5/9/14	8,2/16,3/24,5	8,8/17,7/26,5	8/16/24	0,789	3,30	57	90
SMART G 2500 E	5600	5,5/9/14,5	9,3/18,7/28	10,2/20,3/30,5	9,5/19/28,5	0,921	3,85	58	96
SMART G 3000 E	6400	6,5/8/14,5	9,3/18,7/28	10,2/20,3/30,5	9,5/19/28,5	1,052	4,40	59	109
SMART ECG 1000 E	2775	4/8/12	4/8/12	4,3/8,7/13	4/8/12	0,381	2,94	59	46
SMART ECG 1500 E	3700	6/9,5/15,5	5,3/10,7/16	5,8/11,7/17,5	5,5/11/16,5	0,508	3,92	60	68
SMART ECG 2000 E	5550	5/9/14	8,2/16,3/24,5	8,8/17,7/26,5	8/16/24	0,762	5,88	61	90
SMART ECG 2500 E	6475	5,5/9/14,5	9,3/18,7/28	10,2/20,3/30,5	9,5/19/28,5	0,889	6,86	62	96
SMART ECG 3000 E	7400	6,5/8/14,5	9,3/18,7/28	10,2/20,3/30,5	9,5/19/28,5	1,016	7,84	63	109

(*) Under request other electrical heating power can be limited.

WATER HEATED 208V-1ph~60Hz

Model	Airflow m3/h	P86 (80/60°C)		P64 (60/40°C)		P54 (50/40°C)		Ventilation power (*) kW	Ventilation current (*) A	Noise level (5 m) dB(A)	Weight kg
		Water heating capacity kW	Water pressure drop Pa	Water heating capacity kW	Water pressure drop Pa	Water heating capacity kW	Water pressure drop Pa				
SMART M 1000 P	1450	8,42	760	7,46	3730	7,35	1030	0,221	1,07	53	39
SMART M 1500 P	2175	13,09	650	11,91	5510	12,38	3770	0,332	1,61	54	58
SMART M 2000 P	2900	18,96	1660	15,88	4070	16,09	1720	0,442	2,14	55	73
SMART M 2500 P	3625	24,71	3270	19,8	3270	20,98	3390	0,553	2,68	56	79
SMART M 3000 P	4350	30,49	5660	24,66	5750	25,68	4750	0,663	3,21	57	91
SMART G 1000 P	1875	9,89	1010	8,83	5040	8,86	1430	0,332	1,61	54	44
SMART G 1500 P	2500	14,3	770	13,08	6490	13,7	4510	0,442	2,14	55	64
SMART G 2000 P	3750	22,29	2210	18,86	5530	19,4	2410	0,663	3,21	56	83
SMART G 2500 P	4375	27,84	4040	22,48	4100	24,07	4330	0,774	3,75	57	87
SMART G 3000 P	5000	33,33	6620	27,1	6800	28,44	5690	0,884	4,28	58	99
SMART ECG 1000 P	2250	11,89	1400	10,73	7110	10,95	2090	0,320	2,86	58	44
SMART ECG 1500 P	3400	17,29	1070	15,97	9240	17,02	6630	0,427	3,81	59	64
SMART ECG 2000 P	5100	26,87	3080	22,99	7850	24,05	3530	0,640	5,72	60	83
SMART ECG 2500 P	5950	33,64	5650	27,48	5840	29,9	6370	0,747	6,67	61	87
SMART ECG 3000 P	6800	40,35	9300	33,16	9720	35,40	8400	0,854	7,63	62	99

Water heated: connection pipes P86 and P64 are 2x3/4" female (male if lateral pipes), P54 2x1" male.

P86 2 rows coil, P64 3 rows coil, P54 4 rows coil.

(*) Voltage 208-1ph~60Hz



 WATER HEATED 240V-1ph~60Hz

Model	Airflow m3/h	P86 (80/60°C)		P64 (60/40°C)		P54 (50/40°C)		Ventilation power (*) kW	Ventilation current (*) A	Noise level (5 m) dB(A)	Weight kg
		Water heating capacity kW	Water pressure drop Pa	Water heating capacity kW	Water pressure drop Pa	Water heating capacity kW	Water pressure drop Pa				
SMART M 1000 P	1650	9,14	880	8,12	4340	8,08	1220	0,263	1,10	54	39
SMART M 1500 P	2475	14,21	760	12,99	6420	13,60	4450	0,395	1,65	55	58
SMART M 2000 P	3300	20,58	1920	17,33	4750	17,69	2040	0,526	2,20	56	73
SMART M 2500 P	4125	26,83	3790	21,62	3820	23,07	4010	0,658	2,75	57	79
SMART M 3000 P	4950	33,12	6550	26,92	6720	28,23	5620	0,789	3,3	58	91
SMART G 1000 P	2250	11,04	1230	9,92	6190	10,06	1800	0,395	1,65	55	44
SMART G 1500 P	3000	16,02	940	14,74	8020	15,60	5680	0,526	2,20	56	64
SMART G 2000 P	4500	24,92	2700	21,23	6820	22,06	3030	0,789	3,30	57	83
SMART G 2500 P	5250	31,17	4940	25,35	5070	27,41	5450	0,921	3,85	58	87
SMART G 3000 P	6000	37,36	8110	30,58	8420	32,42	7190	1,052	4,40	59	99
SMART ECG 1000 P	2625	12,09	1450	10,92	7340	11,17	2160	0,381	2,94	59	44
SMART ECG 1500 P	3500	17,59	1110	16,27	9550	17,36	3500	0,508	3,92	60	64
SMART ECG 2000 P	5250	16,27	9550	17,36	3500	27,34	3180	0,762	5,88	61	83
SMART ECG 2500 P	6125	23,42	8110	24,53	3660	34,23	5830	0,889	6,86	62	87
SMART ECG 3000 P	7000	41,07	9590	33,79	10040	36,12	8710	1,016	7,84	63	99

Water heated: connection pipes P86 and P64 are 2x3/4" female (male if lateral pipes), P54 2x1" male.

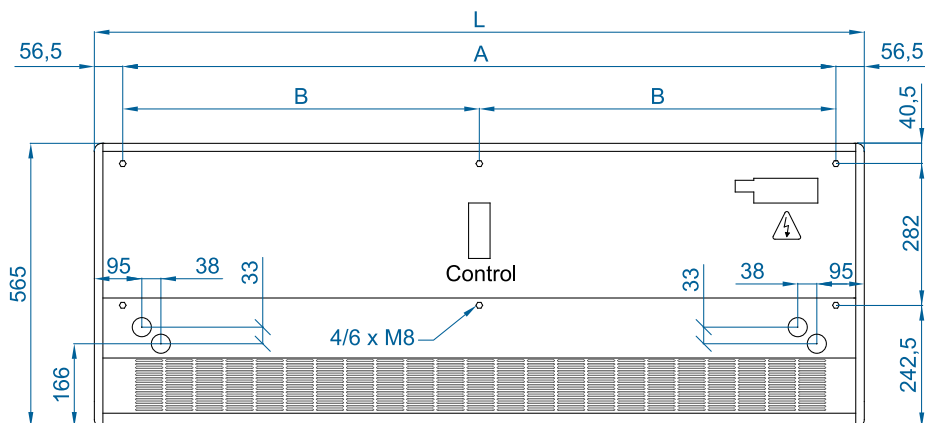
P86 2 rows coil, P64 3 rows coil, P54 4 rows coil.

(*) Voltage 240-1ph~60Hz



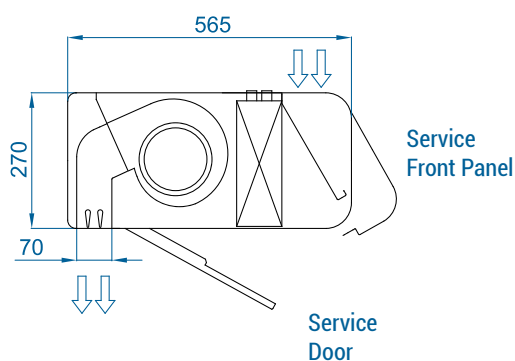
Selection program

Dimensions



	L	A	B
SMART 1000	1034	920	-
SMART 1500	1534	1420	710
SMART 2000	2034	1920	960
SMART 2500	2534	2420	1210
SMART 3000	3034	2920	1460

Customizable dimensions on request.



Smooth or customizable front panel
with logos, lighting or signage

Optional accessories

CAD drawings, installation manuals
and other documentation



Supports and installation



Wall rail support
SPWR



Silentblock supports
SPANG-SIL / SLB



Suspension cables
SPCT

Control



IR Control
✓ Included



Basic Control
✓ Included



RJ45 Cable
✓ Included



Hand-Auto
CH-5HW-NE



Interface kit
IN-NE-II

Sensors



Magnetic
door contact MAG-DC
✓ Included



Mechanical
door contact MEC-DC