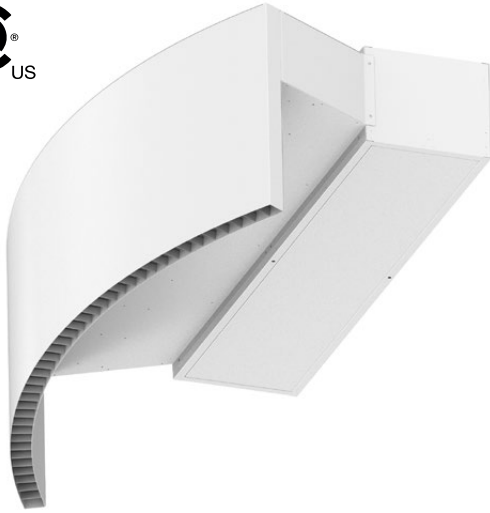




## Technical Features



Range  
**Up to 4,2 m**



Heating types  
**E : electrical 3 stages**  
**P : water**  
**A : unheated**



Casing  
**Galvanised Steel [\*]**



Airflow / Length  
**1875 - 6650 m3/h**  
**1 m to 2,5 m**



Heating capacity  
**E : 2,5 - 30,5 kW**  
**P : 9,92 - 34,23 kW**



Grille type  
**Micro-perforated**  
**with prefilter function**



Fans  
**Centrifugal**  
**5-speed**



Control  
**Plug&Play manual regulator**  
**+ IR remote control**



Outlet lamellas  
**Aluminium, airfoil type**  
**Adjustable 0-15° each side**

RAL 9016  
standard



Other colors  
on request



Stainless  
steel



[\*] Customizable dimensions on request

ROTOWIND air curtains are custom designed to fit perfectly with the curvature of any revolving door. They can be mounted discreetly in two possible layout configurations, with tailored dimensions: standard (on top mounting) or inverted (false ceiling mounting). Self-supporting casing construction finished in white colour RAL 9016 as standard. Other colours or stainless steel are available on request.

This air curtain model works with double-inlet centrifugal fans driven by an external rotor motor with low noise level. EC models assembled with very low consumption efficiency fans. With large perforated inlet grille avoiding intensive maintenance.

Includes Plug&Play control with 7 m RJ45 cable, infrared remote control and magnetic door contact. For electrical heated models also includes thermostat.

CSA certified.

❄️ UNHEATED 208V-1ph~60Hz

| Model           | Airflow | Ventilation power   | Ventilation current | Noise level    | Weight |
|-----------------|---------|---------------------|---------------------|----------------|--------|
|                 | m3/h    | 208V-1ph~60Hz<br>kW | 208V-1ph~60Hz<br>A  | (5 m)<br>dB(A) |        |
| ROTO G 1000 A   | 2325    | 0,332               | 1,61                | 56             | -      |
| ROTO G 1500 A   | 3100    | 0,442               | 2,14                | 57             | -      |
| ROTO G 2000 A   | 4650    | 0,663               | 3,21                | 58             | -      |
| ROTO G 2500 A   | 5425    | 0,774               | 3,75                | 59             | -      |
| ROTO ECG 1000 A | 2700    | 0,319               | 2,79                | 60             | -      |
| ROTO ECG 1500 A | 3600    | 0,425               | 3,72                | 61             | -      |
| ROTO ECG 2000 A | 5400    | 0,638               | 5,58                | 62             | -      |
| ROTO ECG 2500 A | 6300    | 0,744               | 6,51                | 63             | -      |



 UNHEATED 240V-1ph~60Hz

| Model           | Airflow | Ventilation power<br>240V-1ph~60Hz | Ventilation current<br>240V-1ph~60Hz | Noise level<br>(5 m) | Weight |
|-----------------|---------|------------------------------------|--------------------------------------|----------------------|--------|
|                 | m3/h    | kW                                 | A                                    | dB(A)                |        |
| ROTO G 1000 A   | 2475    | 0,395                              | 1,65                                 | 57                   | -      |
| ROTO G 1500 A   | 3300    | 0,526                              | 2,20                                 | 58                   | -      |
| ROTO G 2000 A   | 4950    | 0,789                              | 3,30                                 | 59                   | -      |
| ROTO G 2500 A   | 5775    | 0,921                              | 3,85                                 | 60                   | -      |
| ROTO ECG 1000 A | 2850    | 0,381                              | 2,94                                 | 61                   | -      |
| ROTO ECG 1500 A | 3800    | 0,508                              | 3,92                                 | 62                   | -      |
| ROTO ECG 2000 A | 5700    | 0,762                              | 5,88                                 | 63                   | -      |
| ROTO ECG 2500 A | 6650    | 0,889                              | 6,86                                 | 64                   | -      |

 ELECTRIC HEATED 208V-1ph~60Hz

| Model           | Airflow<br>m3/h | Electrical heating capacity (*)<br>208V-3ph~60Hz | Electrical heating capacity (*)<br>460V-3ph~60Hz | Electrical heating capacity (*)<br>480V-3ph~60Hz | Electrical heating capacity (*)<br>575V-3ph~60Hz | Ventilation power<br>208V-1ph~60Hz | Ventilation current<br>208V-1ph~60Hz | Noise level<br>(5 m) | Weight<br>kg |
|-----------------|-----------------|--|--|--|--|------------------------------------|--------------------------------------|----------------------|--------------|
|                 |                 | kW   | kW   | kW   | kW   | kW                                 | A                                    | dB(A)                |              |
| ROTO G 1000 E   | 2250            | 2,5/5/7,5  | 2,5/5/7,5  | 3/5,5/8,5  | 3,5/4/7,5  | 0,332                              | 1,61                                 | 56                   | -            |
| ROTO G 1500 E   | 3000            | 3,5/6,5/10                                       | 3,5/7/10,5                                       | 4/7,5/11,5                                       | 5/5,5/10,5                                       | 0,442                              | 2,14                                 | 57                   | -            |
| ROTO G 2000 E   | 4500            | 5/9/14   | 5/10,5/15,5                                      | 5,5/11/16,5                                      | 6,5/8/14,5                                       | 0,663                              | 3,21                                 | 58                   | -            |
| ROTO G 2500 E   | 5250            | 5,5/9/14,5                                       | 6/12/18  | 6,5/13/19,5                                      | 8/9,5/17,5                                       | 0,774                              | 3,75                                 | 59                   | -            |
| ROTO ECG 1000 E | 2700            | 4/8/12   | 4/8/12   | 4,3/8,7/13                                       | 4/8/12   | 0,319                              | 2,79                                 | 60                   | -            |
| ROTO ECG 1500 E | 3600            | 6/9,5/15,5                                       | 5,5/10,5/16                                      | 5,8/11,7/17,5                                    | 5,5/11/16,5                                      | 0,425                              | 3,72                                 | 61                   | -            |
| ROTO ECG 2000 E | 5400            | 5/9/14   | 8/16,5/24,5                                      | 8,8/17,7/26,5                                    | 8/16/24  | 0,638                              | 5,58                                 | 62                   | -            |
| ROTO ECG 2500 E | 6300            | 5,5/9/14,5                                       | 9,5/18,5/28                                      | 10,2/20,3/30,5                                   | 9,5/19/28,5                                      | 0,744                              | 6,51                                 | 63                   | -            |

(\*) Under request other electrical heating power can be limited.

For 208V~3ph~60Hz air Curtains there is only needed to connect three-phase power supply.

For the rest of air curtains, there is needed to connect both three-phase (for electrical heating) and single phase (for fans).

 ELECTRIC HEATED 240V-1ph~60Hz

| Model           | Airflow<br>m3/h | Electrical heating capacity (*)<br>208V-3ph~60Hz | Electrical heating capacity (*)<br>460V-3ph~60Hz | Electrical heating capacity (*)<br>480V-3ph~60Hz | Electrical heating capacity (*)<br>575V-3ph~60Hz | Ventilation power<br>240V-1ph~60Hz | Ventilation current<br>240V-1ph~60Hz | Noise level<br>(5 m) | Weight<br>kg |
|-----------------|-----------------|--|--|--|--|------------------------------------|--------------------------------------|----------------------|--------------|
|                 |                 | kW   | kW   | kW   | kW   | kW                                 | A                                    | dB(A)                |              |
| ROTO G 1000 E   | 2400            | 4/8/12   | 4/8/12   | 4,3/8,7/13                                       | 4/8/12   | 0,395                              | 1,65                                 | 57                   | -            |
| ROTO G 1500 E   | 3200            | 6/9,5/15,5                                       | 5,3/10,7/16                                      | 5,8/11,7/17,5                                    | 5,5/11/16,5                                      | 0,526                              | 2,20                                 | 58                   | -            |
| ROTO G 2000 E   | 4800            | 5/9/14   | 8,2/16,3/24,5                                    | 8,8/17,7/26,5                                    | 8/16/24  | 0,789                              | 3,30                                 | 59                   | -            |
| ROTO G 2500 E   | 5600            | 5,5/9/14,5                                       | 9,3/18,7/28                                      | 10,2/20,3/30,5                                   | 9,5/19/28,5                                      | 0,921                              | 3,85                                 | 60                   | -            |
| ROTO ECG 1000 E | 2775            | 4/8/12   | 4/8/12   | 4,3/8,7/13                                       | 4/8/12   | 0,381                              | 2,94                                 | 61                   | -            |
| ROTO ECG 1500 E | 3700            | 6/9,5/15,5                                       | 5,3/10,7/16                                      | 5,8/11,7/17,5                                    | 5,5/11/16,5                                      | 0,508                              | 3,92                                 | 62                   | -            |
| ROTO ECG 2000 E | 5550            | 5/9/14   | 8,2/16,3/24,5                                    | 8,8/17,7/26,5                                    | 8/16/24  | 0,762                              | 5,88                                 | 63                   | -            |
| ROTO ECG 2500 E | 6475            | 5,5/9/14,5                                       | 9,3/18,7/28                                      | 10,2/20,3/30,5                                   | 9,5/19/28,5                                      | 0,889                              | 6,86                                 | 64                   | -            |

(\*) Under request other electrical heating power can be limited.



 WATER HEATED 208V-1ph~60Hz

| Model           | Airflow<br>m3/h | P86 (80/60°C)                      |                                 | P64 (60/40°C)                      |                                 | P54 (50/40°C)                      |                                 | Ventilation<br>power<br>(*)<br>kW | Ventilation<br>current<br>(*)<br>A | Noise<br>level<br>(5 m)<br>dB(A) | Weight<br>kg |
|-----------------|-----------------|------------------------------------|---------------------------------|------------------------------------|---------------------------------|------------------------------------|---------------------------------|-----------------------------------|------------------------------------|----------------------------------|--------------|
|                 |                 | Water<br>heating<br>capacity<br>kW | Water<br>pressure<br>drop<br>Pa | Water<br>heating<br>capacity<br>kW | Water<br>pressure<br>drop<br>Pa | Water<br>heating<br>capacity<br>kW | Water<br>pressure<br>drop<br>Pa |                                   |                                    |                                  |              |
|                 |                 |                                    |                                 |                                    |                                 |                                    |                                 |                                   |                                    |                                  |              |
| ROTO G 1000 P   | 1875            | 9,89                               | 1010                            | 8,83                               | 5040                            | 8,86                               | 1430                            | 0,332                             | 1,61                               | 56                               | -            |
| ROTO G 1500 P   | 2500            | 14,3                               | 770                             | 13,08                              | 6490                            | 13,7                               | 4510                            | 0,442                             | 2,14                               | 57                               | -            |
| ROTO G 2000 P   | 3750            | 22,29                              | 2210                            | 18,86                              | 5530                            | 19,4                               | 2410                            | 0,663                             | 3,21                               | 58                               | -            |
| ROTO G 2500 P   | 4375            | 27,84                              | 4040                            | 22,48                              | 4100                            | 24,07                              | 4330                            | 0,774                             | 3,75                               | 59                               | -            |
| ROTO ECG 1000 P | 2550            | 11,89                              | 1400                            | 10,73                              | 7110                            | 10,95                              | 2090                            | 0,320                             | 2,86                               | 60                               | -            |
| ROTO ECG 1500 P | 3400            | 17,29                              | 1070                            | 15,97                              | 9240                            | 17,02                              | 6630                            | 0,427                             | 3,81                               | 61                               | -            |
| ROTO ECG 2000 P | 5100            | 26,87                              | 3080                            | 22,99                              | 7850                            | 24,05                              | 3530                            | 0,640                             | 5,72                               | 62                               | -            |
| ROTO ECG 2500 P | 5950            | 33,64                              | 5650                            | 27,48                              | 5840                            | 29,9                               | 6370                            | 0,747                             | 6,67                               | 63                               | -            |

Water heated: connection pipes P86 and P64 are 2x3/4" female (male if lateral pipes), P54 2x1" male.

P86 2 rows coil, P64 3 rows coil, P54 4 rows coil.

(\*) Voltage 208-1ph~60Hz

 WATER HEATED 240V-1ph~60Hz

| Model           | Airflow<br>m3/h | P86 (80/60°C)                      |                                 | P64 (60/40°C)                      |                                 | P54 (50/40°C)                      |                                 | Ventilation<br>power<br>(*)<br>kW | Ventilation<br>current<br>(*)<br>A | Noise<br>level<br>(5 m)<br>dB(A) | Weight<br>kg |
|-----------------|-----------------|------------------------------------|---------------------------------|------------------------------------|---------------------------------|------------------------------------|---------------------------------|-----------------------------------|------------------------------------|----------------------------------|--------------|
|                 |                 | Water<br>heating<br>capacity<br>kW | Water<br>pressure<br>drop<br>Pa | Water<br>heating<br>capacity<br>kW | Water<br>pressure<br>drop<br>Pa | Water<br>heating<br>capacity<br>kW | Water<br>pressure<br>drop<br>Pa |                                   |                                    |                                  |              |
|                 |                 |                                    |                                 |                                    |                                 |                                    |                                 |                                   |                                    |                                  |              |
| ROTO G 1000 P   | 2250            | 11,04                              | 1230                            | 9,92                               | 6190                            | 10,06                              | 1800                            | 0,395                             | 1,65                               | 57                               | -            |
| ROTO G 1500 P   | 3000            | 16,02                              | 940                             | 14,74                              | 8020                            | 15,60                              | 5680                            | 0,526                             | 2,20                               | 58                               | -            |
| ROTO G 2000 P   | 4500            | 24,92                              | 2700                            | 21,23                              | 6820                            | 22,06                              | 3030                            | 0,789                             | 3,30                               | 59                               | -            |
| ROTO G 2500 P   | 5250            | 31,17                              | 4940                            | 25,35                              | 5070                            | 27,41                              | 5450                            | 0,921                             | 3,85                               | 60                               | -            |
| ROTO ECG 1000 P | 2625            | 12,09                              | 1450                            | 10,92                              | 7340                            | 11,17                              | 2160                            | 0,381                             | 2,94                               | 61                               | -            |
| ROTO ECG 1500 P | 3500            | 17,59                              | 1110                            | 16,27                              | 9550                            | 17,36                              | 3500                            | 0,508                             | 3,92                               | 62                               | -            |
| ROTO ECG 2000 P | 5250            | 27,34                              | 3180                            | 23,42                              | 8110                            | 24,53                              | 3660                            | 0,762                             | 5,88                               | 63                               | -            |
| ROTO ECG 2500 P | 6125            | 34,23                              | 5830                            | 27,99                              | 6040                            | 30,51                              | 6600                            | 0,889                             | 6,86                               | 64                               | -            |

Water heated: connection pipes P86 and P64 are 2x3/4" female (male if lateral pipes), P54 2x1" male.

P86 2 rows coil, P64 3 rows coil, P54 4 rows coil.

(\*) Voltage 240-1ph~60Hz



Selection program

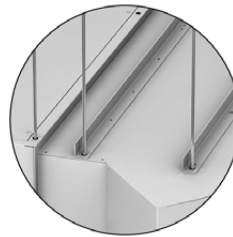


## Installation configurations

Standard: Above de door

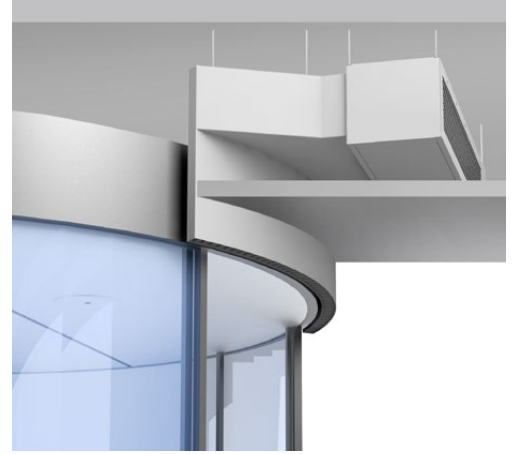


Mounted installation

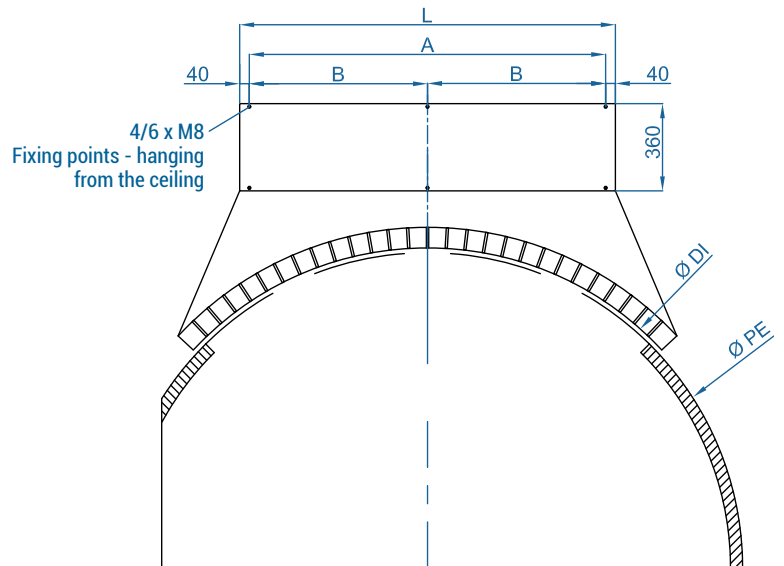
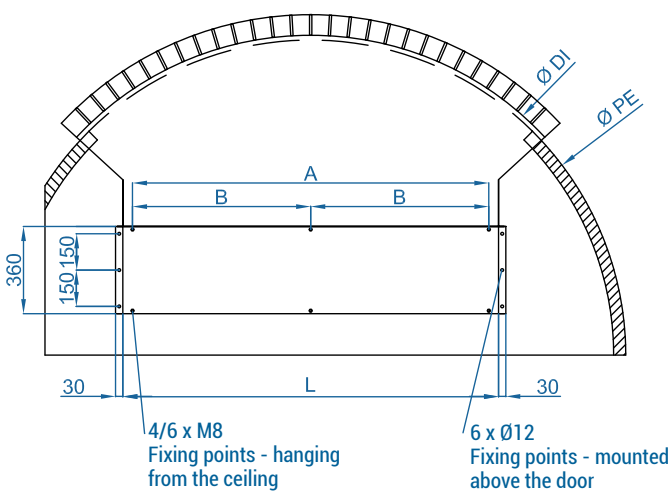
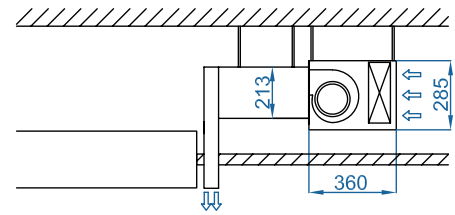
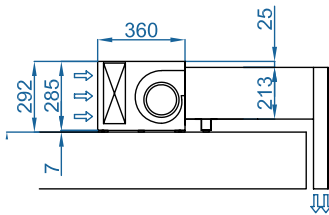


Hanging installation

Inverted: False ceiling mounting



## Dimensions



|           | L    | I    | A      |
|-----------|------|------|--------|
| ROTO 1000 | 1050 | 970  | -      |
| ROTO 1500 | 1550 | 1470 | 735    |
| ROTO 2000 | 2055 | 1975 | 987,5  |
| ROTO 2500 | 2555 | 2475 | 1237,5 |

CAD drawings, installation manuals  
and other documentation

|      |                        |
|------|------------------------|
| Ø DI | Inside Outlet Diameter |
| Ø PE | External Door Diameter |

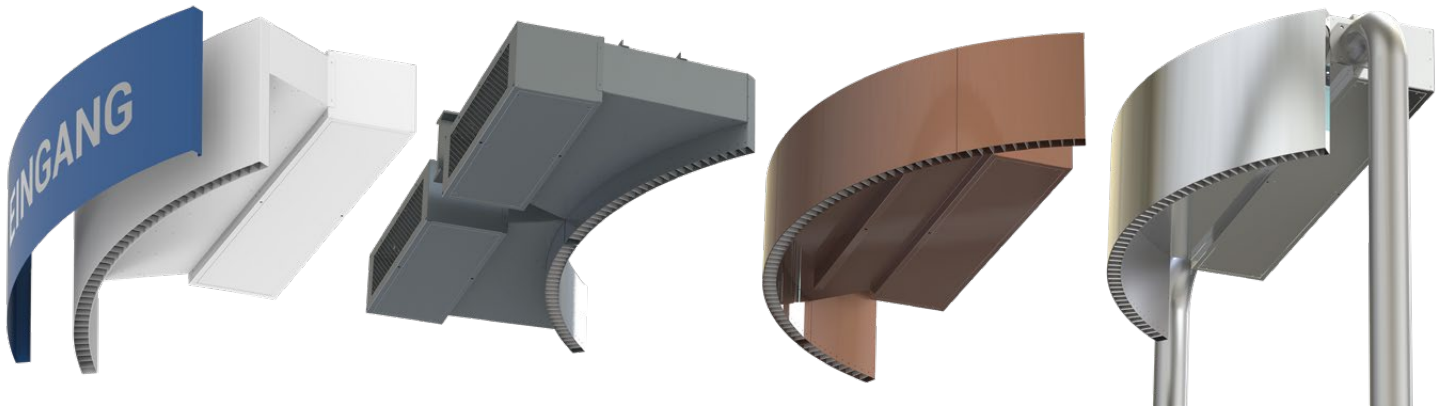




## Tailor made finishes

ROTOWIND can be customized in the same color or material as the revolving door to match the interior or exterior aesthetics of the building. Optionally, it can be ordered with a front decorative cover, which can be painted in a different color or finish. It can also be customized with logos, graphics or signage.

Multiple options available for accessories and supports to adapt to the installation requirements.



## Optional accessories

### Supports and installation



Decorative front cover  
(RAL Painted / SS)



Support angle  
(top mounting)  
✓ Included



Silentblock support  
(top mounting)  
✓ Included



Silentblock supports  
SPANG-SIL / SLB



Suspension cables  
SPCT



Round arm  
Rotowind

### Control



IR Control  
✓ Included



Basic Control  
✓ Included



RJ45 Cable  
✓ Included



Hand-Auto  
CH-5HW-NE



Interface kit  
IN-NE-II

### Sensors



Magnetic  
door contact MAG-DC  
✓ Included



Mechanical  
door contact MEC-DC