





Technical Features



RAL 9016 standard  Stainless steel  Other colors on request 


Range
Up to 4,2 m


Heating types
Heat Pump
Gas R32 / R410a


Casing
Galvanised Steel
Self-Supporting



Airflow / Length
1640 - 5840 m³/h
1m to 3m


Heating capacity
8 - 27 kW


Grille type
Micro-perforated with
pre-filter included


Fans
Centrifugal
5-speed


Control
Slave DX regulator
Consult other options


Outlet vanes
Aluminium, airfoil type
Adjustable 0-15° each side

WINDBOX air curtains range provide equipment suitable for all types of commercial entrances. A compact and robust air curtain from our standard range with a timeless design, ready for visible installation over the door and prepared for multiple false ceiling installation configurations. Air curtain with high energy saving heat pump for all types of commercial and industrial entrances, with multiple configurations for false ceiling installation. In heating, it reduces consumption and CO2 emissions by up to 70%. Prepared to connect to SAMSUNG CAC heat pump (R32/R410) with direct expansion valve, included. Sensors pre-installed in the direct expansion coil. As an option, under request, it can also work in cold mode (refrigeration), with optional condensate water pump. Efficient EC centrifugal fans with low consumption, double inlet with external rotor motor and low noise level. Internal pre-filter included. Plug&Play Slave DX control programmable according to the door status. Consult other regulation options (slave or master). **Requires SAMSUNG CAC Interface KIT adapted for air curtain and programmable control, please consult.**

AIR CURTAIN SPECIFICATIONS

Model	Airflow	Ventilation power	Ventilation current	Outdoor unit (*)	Outdoor unit (*)	Pipes gas-liquid	Noise level (5 m)	Weight
	m ³ /h	230V-50/60Hz kW	230V-50/60Hz A	230Vx1	400Vx3	inch	dB(A)	
ECM 1000 DX8-SA	1640	0,142	1,24	AC71RXADNG/EU	-	5/8" - 3/8"	56	35
ECM 1500 DX11-SA	2460	0,213	1,86	AC100RXADKG/EU	AC100RXADNG/EU	5/8" - 3/8"	57	53
ECM 2000 DX19-SA	3280	0,284	2,48	-	AC200KXAPNH/EU	3/4" - 3/8"	58	69
ECM 2500 DX21-SA	4100	0,355	3,10	-	AC200KXAPNH/EU	3/4" - 3/8"	59	86
ECM 2500 DX24-SA	4100	0,355	3,10	-	AC250KXAPNH/EU	7/8" - 3/8"	59	86
ECM 3000 DX26-SA	4920	0,426	3,72	-	AC250KXAPNH/EU	7/8" - 3/8"	60	103
ECG 1500 DX13-SA	2920	0,284	2,48	AC120RXADKG/EU	AC120RXADNG/EU	5/8" - 3/8"	62	59
ECG 2000 DX23-SA	4380	0,426	3,72	-	AC200KXAPNH/EU	3/4" - 3/8"	63	92
ECG 2500 DX25-SA	5110	0,497	4,34	-	AC250KXAPNH/EU	7/8" - 3/8"	64	96
ECG 3000 DX27-SA	5840	0,568	4,96	-	AC250KXAPNH/EU	7/8" - 3/8"	65	109

(*) Direct expansion valve inbuilt in the outdoor unit

OUTDOOR UNIT SPECIFICATIONS

Outdoor unit model (*)	Heating capacity	COP o SCOP	Cooling capacity	EER o SEER	Power supply	Pipes gas-liquid	Pipes minimum - maximum length	Pipes maximum height
	kW		kW			inch	m	m
AC71RXADNG/EU	8	3,20	6,8	2,93	230Vx1	5/8" - 3/8"	5 - 50	30
AC100RXADKG/EU	11,2	3,20	10	2,90	230Vx1	5/8" - 3/8"	5 - 50	30
AC100RXADNG/EU	11,2	3,27	10	2,92	400Vx3	5/8" - 3/8"	5 - 50	30
AC120RXADKG/EU	13,2	3,42	12	2,66	230Vx1	5/8" - 3/8"	5 - 50	30
AC120RXADNG/EU	13,2	3,48	12	2,67	400Vx3	5/8" - 3/8"	5 - 50	30
AC200KXAPNH/EU	23	3,45	20	3,10	400Vx3	3/4" - 3/8"	5 - 75	30
AC250KXAPNH/EU	27	3,24	25	2,61	400Vx3	7/8" - 3/8"	5 - 75	30

Energy efficiency: SCOP/SEER seasonal ≤12kW, COP/EER >12kW.

Outdoor unit capacities depending on standard conditions: heating 20°CDB indoor / 7°CDB and 6°CWB outdoor, cooling 27°CDB and 19°CWB indoor / 35°CDB outdoor.

When adverse weather conditions, the outdoor unit capacity can decrease. It is recommendable to oversize the units.


(*) Outdoor units with R32 gas: ACxxxRXADNG/EU y ACxxxRXADKG/EU. Outdoor units with R410A gas: AC200KXAPNH/EU y AC250KXAPNH/EU.




Technical Features



RAL 9016 standard  Stainless steel  Other colors on request 


Range
Up to 4,2 m


Heating types
Heat Pump
Gas R410a


Casing
Galvanised Steel
Self-Supporting



Airflow / Length
1640 - 5840 m³/h
1m to 3m


Heating capacity
8 - 34 kW


Grille type
Micro-perforated with
pre-filter included


Fans
Centrifugal
5-speed


Control
Slave DX regulator
Consult other options


Outlet vanes
Aluminium, airfoil type
Adjustable 0-15° each side

WINDBOX air curtains range provide equipment suitable for all types of commercial entrances. A compact and robust air curtain from our standard range with a timeless design, ready for visible installation over the door and prepared for multiple false ceiling installation configurations.

Air curtain with high energy saving heat pump for all types of commercial and industrial entrances, with multiple configurations for false ceiling installation.

In heating, it reduces consumption and CO2 emissions by up to 70%.

Prepared to connect to SAMSUNG VRF outdoor heat pump unit (R410), not included, to be purchased by the customer.

Sensors pre-installed in the direct expansion coil. As an option, under request, it can also work in cold mode (refrigeration), with optional condensate water pump.

Efficient EC centrifugal fans with low consumption, double inlet with external rotor motor and low noise level. Internal pre-filter included.

Plug&Play Slave DX control programmable according to the door status. Consult other regulation options (slave or master).

Requires SAMSUNG VRF Interface KIT adapted for air curtain and programmable control, please consult.

AIR CURTAIN SPECIFICATIONS

Model	Airflow	Ventilation power	Ventilation current	Kit (*)	Pipes gas-liquid	Noise level (5 m)	Weight
	m³/h	230V-50/60Hz kW	230V-50/60Hz A		inch	dB(A)	
ECM 1000 VRF8-SA	1640	0,142	1,24	MXD-K025AN	5/8" - 3/8"	56	35
ECM 1500 VRF13-SA	2460	0,213	1,86	MXD-K050AN	5/8" - 3/8"	57	53
ECM 2000 VRF16-SA	3280	0,284	2,48	MXD-K050AN	5/8" - 3/8"	58	69
ECM 2500 VRF24-SA	4100	0,355	3,10	MXD-K075AN	7/8" - 3/8"	59	86
ECM 3000 VRF26-SA	4920	0,426	3,72	MXD-K075AN	7/8" - 3/8"	60	103
ECM 3000 VRF30-SA	4920	0,426	3,72	MXD-K100AN	7/8" - 3/8"	60	103
ECG 1000 VRF10-SA	2190	0,213	1,86	MXD-K025AN	5/8" - 3/8"	61	50
ECG 1500 VRF15-SA	2920	0,284	2,48	MXD-K050AN	5/8" - 3/8"	62	59
ECG 2000 VRF20-SA	4380	0,426	3,72	MXD-K050AN	3/4" - 3/8"	63	92
ECG 2000 VRF24-SA	4380	0,426	3,72	MXD-K075AN	7/8" - 3/8"	63	92
ECG 2500 VRF29-SA	5110	0,497	4,34	MXD-K075AN	7/8" - 3/8"	64	96
ECG 3000 VRF34-SA	5840	0,568	4,96	MXD-K100AN	7/8" - 3/8"	65	109

When adverse weather conditions, the outdoor unit capacity can decrease. It is recommendable to oversize the units.

(*) Direct expansion valve included with the kit.

The VRF-compatible models are as follows:

- DVM S
- DVM S Eco

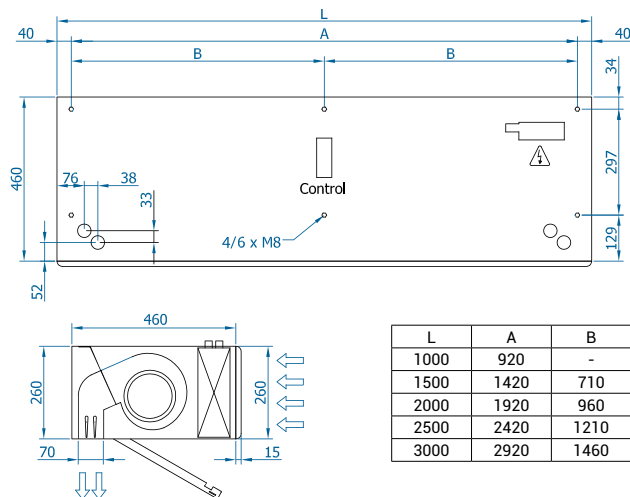


Selection program

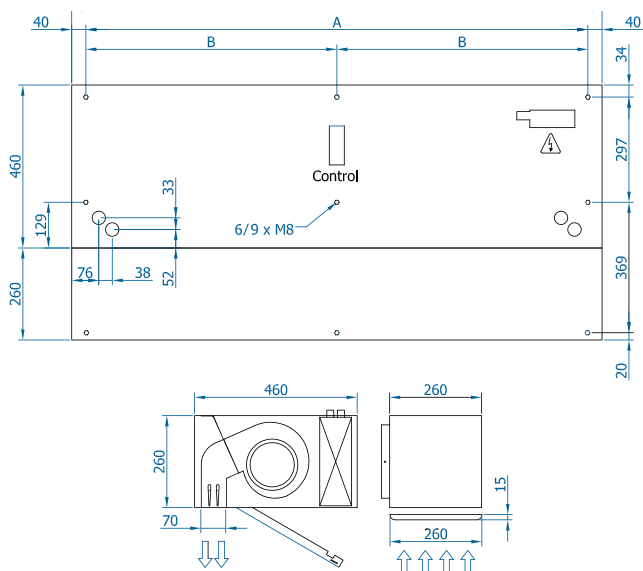


Dimensions

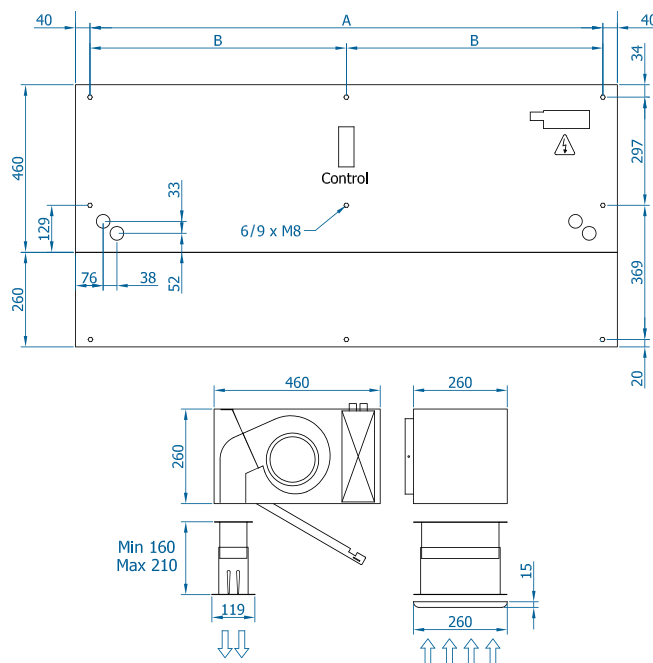
Horizontal free hanging Installation



Inside ceiling surface mounting



False ceiling invisible mounting

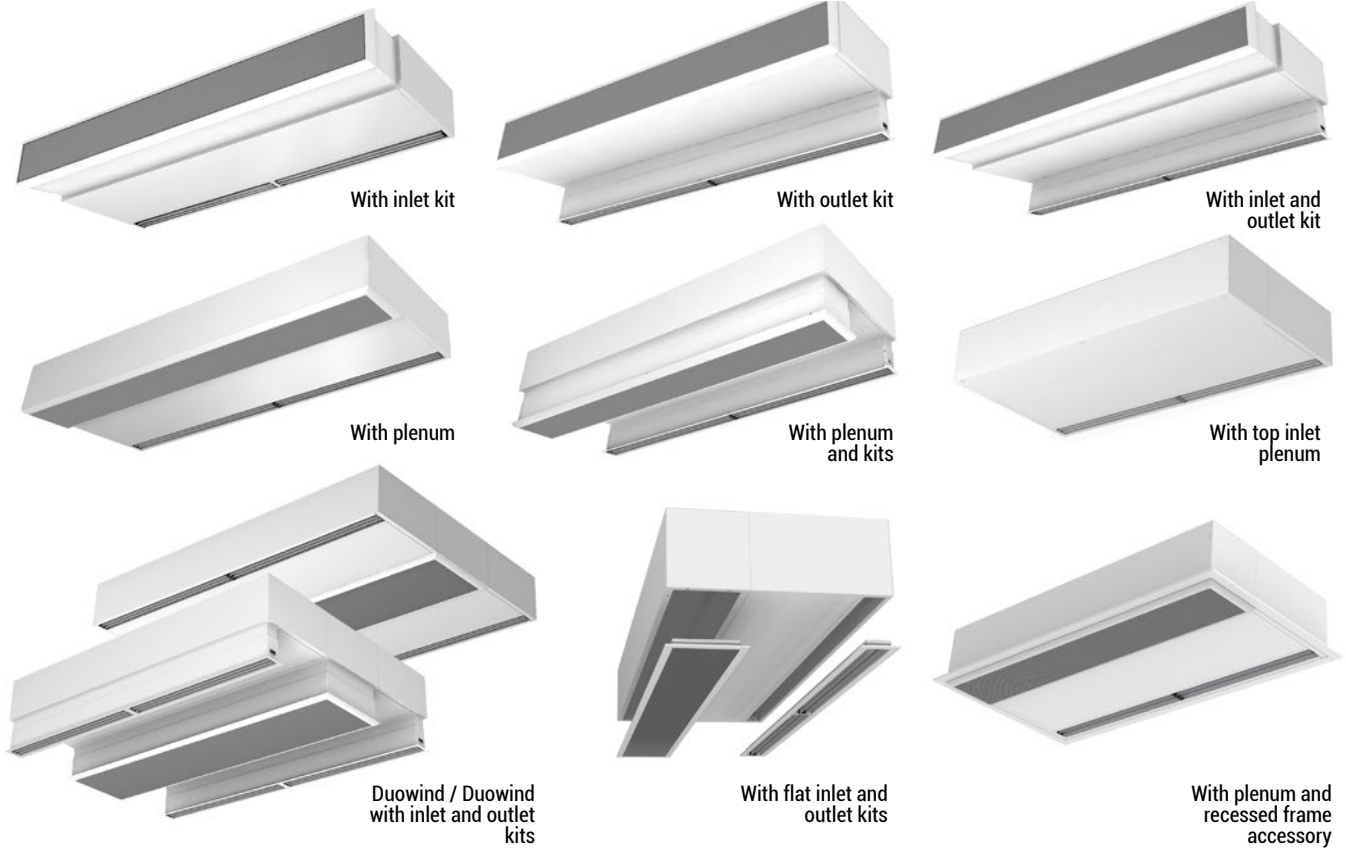


CAD drawings, BIM files, installation manuals and other documents





Installation configurations



Accessories

Supports and installation



Wall rail support
SPWR



Silentblock supports
SPANG-SIL / SLB



Gripple hanger
SPCT



Slave DX
(Included)



Clever Control Kit



RJ45 Cable
(Included)



External Temperature
Sensor (Clever)

Sensors and valves



Magnetic door contact
DC



Mechanical door contact
DC



Condensate water pump
for DX air curtains