



## Technical Features



Range  
Up to 4,2 m



Airflow / Length  
2920 - 5110 m<sup>3</sup>/h  
1,5m to 2,5m



Fans  
Centrifugal  
5-speed



Heating types  
Heat Pump  
Gas R32 / R410a



Heating capacity  
13,2 - 25 kW



Control  
Slave DX regulator  
Consult other options



Casing  
Galvanised Steel  
Self-Supporting



Grille type  
Rectangular perforated  
33x10 with pre-filter  
included



Outlet vanes  
Airfoil type

RAL 9016  
standard



Stainless  
steel



Other colors  
on request



ROTOWIND air curtains are custom designed to fit perfectly with the curvature of any revolving door. They can be mounted discreetly in two possible layout configurations, with tailored dimensions: standard (on top mounting) or inverted (false ceiling mounting).

In heating, it reduces consumption and CO2 emissions by up to 70%.

Prepared to connect to SAMSUNG CAC heat pump (R32/R410) with direct expansion valve, included.

Sensors pre-installed in the direct expansion coil. As an option, under request, it can also work in cold mode (refrigeration), with optional condensate water pump.

Efficient EC centrifugal fans with low consumption, double inlet with external rotor motor and low noise level. Internal pre-filter included.

Plug&Play Slave DX control programmable according to the door status. Consult other regulation options (slave or master).

**Requires SAMSUNG CAC Interface KIT adapted for air curtain and programmable control, please consult.**

### AIR CURTAIN SPECIFICATIONS

Model	Airflow	Ventilation power	Ventilation current	Outdoor unit (*)	Outdoor unit (*)	Pipes gas-liquid	Noise Level (5 m)	Weight
	m <sup>3</sup> /h	230V-50/60Hz kW	230V-50/60Hz A	230Vx1	400Vx3	inch	dB(A)	
ROTO ECG 1500 DX13-SA	2920	0,284	2,48	AC120RXADKG/EU	AC120RXADNG/EU	5/8" - 3/8"	62	-
ROTO ECG 2000 DX23-SA	4380	0,426	3,72	-	AC200KXAPNH/EU	3/4" - 3/8"	63	-
ROTO ECG 2500 DX25-SA	5110	0,497	4,34	-	AC250KXAPNH/EU	7/8" - 3/8"	64	-

(\*) Direct expansion valve inbuilt in the outdoor unit

### OUTDOOR UNIT SPECIFICATIONS

Outdoor unit model (*)	Heating capacity	COP o SCOP	Cooling capacity	EER o SEER	Power supply	Pipes gas-liquid	Pipes minimum - maximum length	Pipes maximum height
	kW		kW			inch	m	m
AC120RXADKG/EU	13,2	3,42	12	2,66	230Vx1	5/8" - 3/8"	5 - 50	30
AC120RXADNG/EU	13,2	3,48	12	2,67	400Vx3	5/8" - 3/8"	5 - 50	30
AC200KXAPNH/EU	23	3,45	20	3,10	400Vx3	3/4" - 3/8"	5 - 75	30
AC250KXAPNH/EU	27	3,24	25	2,61	400Vx3	7/8" - 3/8"	5 - 75	30

Energy efficiency: SCOP/SEER seasonal  $\leq 12$  kW, COP/EER  $> 12$  kW.

Outdoor unit capacities depending on standard conditions: heating 20°CDB indoor / 7°CDB and 6°CWB outdoor, cooling 27°CDB and 19°CWB indoor / 35°CDB outdoor. When adverse weather conditions, the outdoor unit capacity can decrease. It is recommendable to oversize the units.

(\*) Outdoor units with R32 gas: ACxxxRXADNG/EU y ACxxxRXADKG/EU. Outdoor units with R410A gas: AC200KXAPNH/EU y AC250KXAPNH/EU.



## Technical Features



Range  
Up to 4,2 m



Heating types  
Heat Pump  
Gas R410a



Casing  
Galvanised Steel  
Self-Supporting



Airflow / Length  
2190 - 5110 m<sup>3</sup>/h  
1m to 2,5m



Heating capacity  
10 - 29 kW



Grille type  
Rectangular perforated  
33x10 with pre-filter  
included



Fans  
Centrifugal  
5-speed



Control  
Slave DX regulator  
Consult other options



Outlet vanes  
Airfoil type

RAL 9016  
standard



Stainless  
steel



Other colors  
on request



ROTOWIND air curtains are custom designed to fit perfectly with the curvature of any revolving door. They can be mounted discreetly in two possible layout configurations, with tailored dimensions: standard (on top mounting) or inverted (false ceiling mounting).

In heating, it reduces consumption and CO2 emissions by up to 70%.

Prepared to connect to SAMSUNG VRF outdoor heat pump unit (R410) with direct expansion valve, not included, to be purchased by the customer.

Sensors pre-installed in the direct expansion coil. As an option, under request, it can also work in cold mode (refrigeration), with optional condensate water pump.

Efficient EC centrifugal fans with low consumption, double inlet with external rotor motor and low noise level. Internal pre-filter included.

Plug&Play Slave DX control programmable according to the door status. Consult other regulation options (slave or master).

**Requires SAMSUNG VRF Interface KIT adapted for air curtain and programmable control, please consult.**

### AIR CURTAIN SPECIFICATIONS

Model	Airflow	Ventilation power	Ventilation current	Kit (*)	Pipes	Noise Level	Weight
	m <sup>3</sup> /h	230V-50/60Hz	230V-50/60Hz		gas-liquid	(5 m)	
		kW	A		inch	dB(A)	kg
ROTO ECG 1000 VRF10-SA	2190	0,213	1,86	MXD-K025AN	5/8" - 3/8"	61	-
ROTO ECG 1500 VRF15-SA	2920	0,284	2,48	MXD-K050AN	5/8" - 3/8"	62	-
ROTO ECG 2000 VRF20-SA	4380	0,426	3,72	MXD-K050AN	3/4" - 3/8"	63	-
ROTO ECG 2000 VRF24-SA	4380	0,426	3,72	MXD-K075AN	7/8" - 3/8"	63	-
ROTO ECG 2500 VRF29-SA	5110	0,497	4,34	MXD-K075AN	7/8" - 3/8"	64	-

When adverse weather conditions, the outdoor unit capacity can decrease. It is recommendable to oversize the units.

(\*) Direct expansion valve included with the kit.

The VRF-compatible models are as follows:

- DVM S
- DVM S Eco

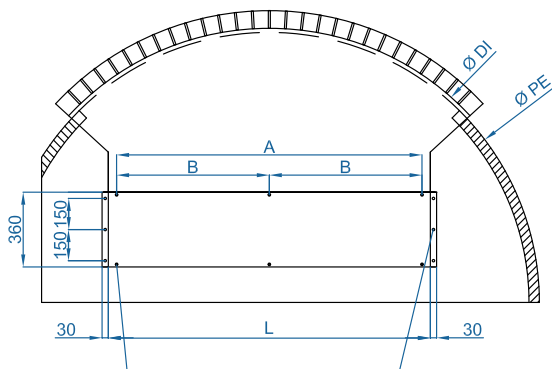
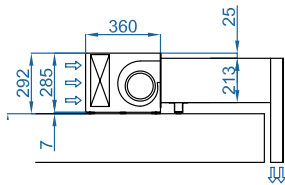


Selection program



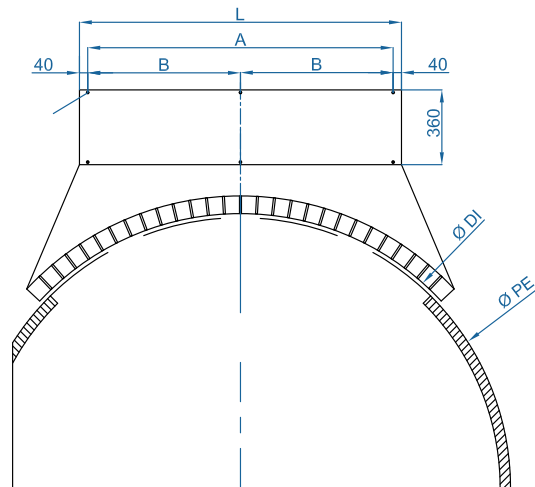
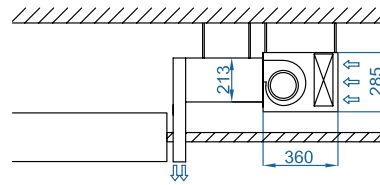
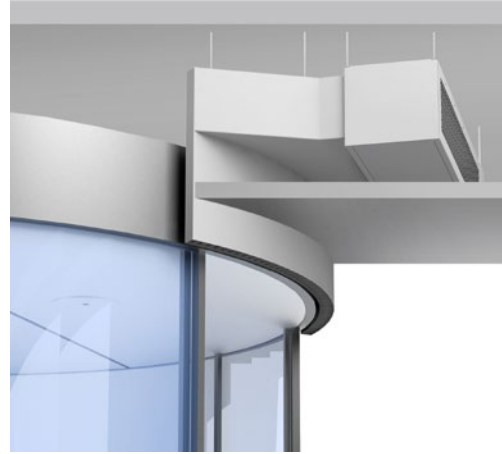
## Dimensions

Standard: Installation above the door



Model	L
1000	1050
1500	1550
2000	2055
2500	2555

Inverted: False ceiling installation



ØDI	Inside outlet diameter
ØPE	External door diameter

CAD drawings, BIM files, installation manuals and other documentation





## Accessories

### Supports and installation



Silentblock supports  
SPANG-SIL / SLB



Gripple hanger  
SPCT



Slave DX  
(Included)



Clever Control Kit



RJ45 Cable  
(Included)



External Temperature  
Sensor (Clever)

### Sensors and valves



Magnetic door contact  
DC



Mechanical door contact  
DC



Condensate water pump  
for DX air curtains