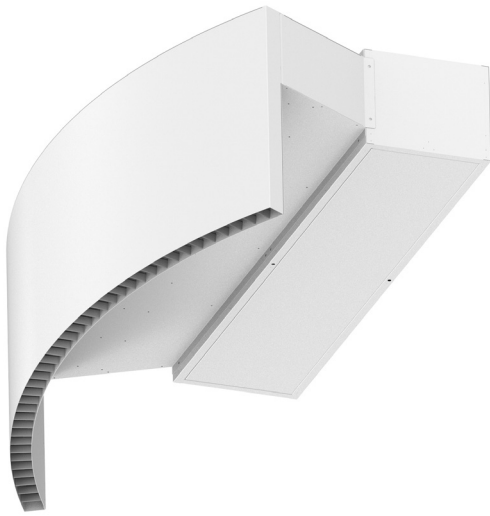




Technical Features



Range
Up to 4,2 m



Airflow / Length
2250 - 6300 m³/h
1 m to 2,5 m



Fans
Centrifugal
5-speed



Heating types
E : electrical 3 stages
P : water
A : unheated
DX : heat pump [*]



Heating capacity
E : 5 - 30 kW
P : 10,4- 33,6 kW



Control
Plug&Play manual regulator
+ IR remote control
(Optional Clever Control)



Casing
Galvanised Steel []**



Grille type
Rectangular perforated



Outlet lamellas
Aluminium, airfoil type

RAL 9016
standard



Other colors
on request



Stainless
steel



[*] Consult separate DX catalogs

[**] Each air curtain is tailor made

ROTOWIND air curtains are custom designed to fit perfectly with the curvature of any revolving door. They can be mounted discreetly in two possible layout configurations, with tailored dimensions: standard (on top mounting) or inverted (false ceiling mounting). Self-supporting casing construction finished in white colour RAL9016 as standard. Other colours or stainless steel are available on request.

This air curtain model works with double-inlet centrifugal fans driven by an external rotor motor with low noise level. EC models assembled with very low consumption efficiency fans. With large perforated inlet grille avoiding intensive maintenance.

Includes Plug&Play control with 7m RJ45 cable and infrared remote control. Optionally can be regulated with Advanced Clever Control (programmable, automatic, intelligent, compatible with Modbus RTU for BMS).

❄ UNHEATED

Model	Airflow m ³ /h	Ventilation power 230V~50Hz kW	Ventilation current 230V~50Hz A	Noise level (5 m) dB (A)	Weight kg
ROTO G 1000 A	2400	0,642	2,85	57	-
ROTO G 1500 A	3200	0,856	3,80	58	-
ROTO G 2000 A	4800	1,284	5,70	59	-
ROTO G 2500 A	5600	1,498	6,65	60	-
ROTO ECG 1000 A	2700	0,213	1,86	61	-
ROTO ECG 1500 A	3600	0,284	2,48	62	-
ROTO ECG 2000 A	5400	0,426	3,72	63	-
ROTO ECG 2500 A	6300	0,497	4,34	64	-



⚡ ELECTRIC HEATED

Model	Airflow	Electrical heating capacity 400Vx3~50Hz (*)	Ventilation power 230V~50Hz	Ventilation current 230V~50Hz	Noise level (5 m)	Weight
	m³/h	kW	kW	A	dB(A)	
ROTO G 1000 E	2400	5/10/15	0,642	2,85	57	-
ROTO G 1500 E	3200	7,5/15/22,5	0,856	3,80	58	-
ROTO G 2000 E	4800	10/20/30	1,284	5,70	59	-
ROTO G 2500 E	5600	10/20/30	1,498	6,65	60	-
ROTO ECG 1000 E	2700	5/10/15	0,213	1,86	61	-
ROTO ECG 1500 E	3600	7,5/15/22,5	0,284	2,48	62	-
ROTO ECG 2000 E	5400	10/20/30	0,426	3,72	63	-
ROTO ECG 2500 E	6300	10/20/30	0,497	4,34	64	-

(*) Under request other electrical heating power can be limited.

💧 WATER HEATED

Model	Airflow m³/h	P86 (80/60°C)		P64 (60/40°C)		P54 (50/40°C)		Ventilation power 230V~50Hz kW	Ventilation current 230V~50Hz A	Noise level (5 m) dB(A)	Weight kg
		Water heating capacity kW	Water pressure drop Pa	Water heating capacity kW	Water pressure drop Pa	Water heating capacity kW	Water pressure drop Pa				
ROTO G 1000 P	2250	11,04	1230	10,42	6190	10,56	1790	0,642	2,85	57	-
ROTO G 1500 P	3000	16,02	940	15,47	8020	16,37	5670	0,856	3,80	58	-
ROTO G 2000 P	4500	24,92	2700	22,29	6810	23,15	3030	1,284	5,70	59	-
ROTO G 2500 P	5250	31,16	4930	26,61	5060	28,76	5450	1,498	6,65	60	-
ROTO ECG 1000 P	2550	11,89	1400	11,27	7110	11,50	2090	0,213	1,86	61	-
ROTO ECG 1500 P	3400	17,29	1070	16,77	9240	17,86	6620	0,284	2,48	62	-
ROTO ECG 2000 P	5100	26,86	3080	24,14	7850	25,24	3530	0,426	3,72	63	-
ROTO ECG 2500 P	5950	33,63	5650	28,84	5840	31,38	6360	0,497	4,34	64	-

Water heated: connection pipes P86 and P64 are 2x3/4" female (male if lateral pipes), P54 2x1" male.
P86 2 rows coil, P64 3 rows coil, P54 4 rows coil.



Selection program

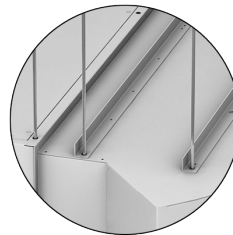


Installation configurations

Standard: Above de door

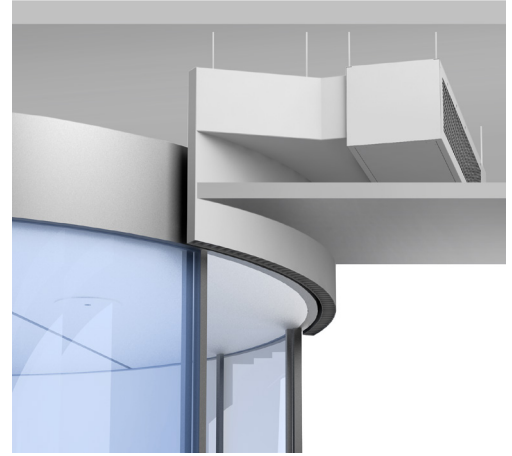


Mounted installation

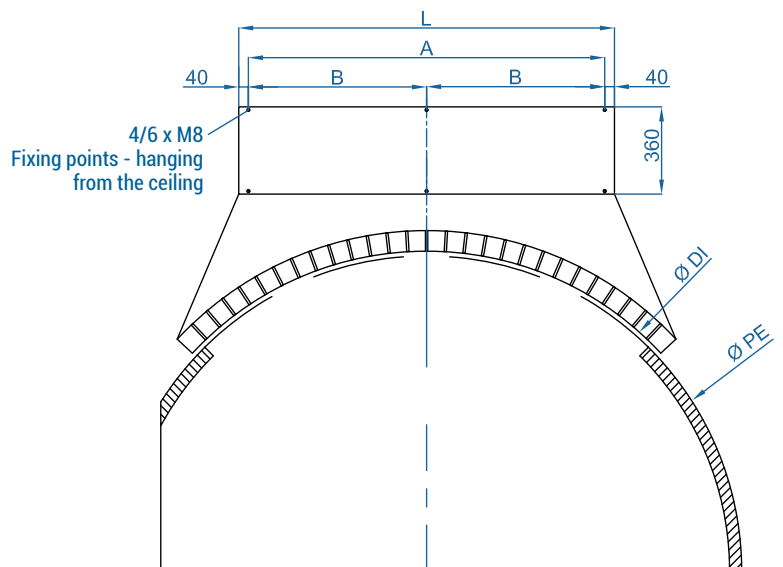
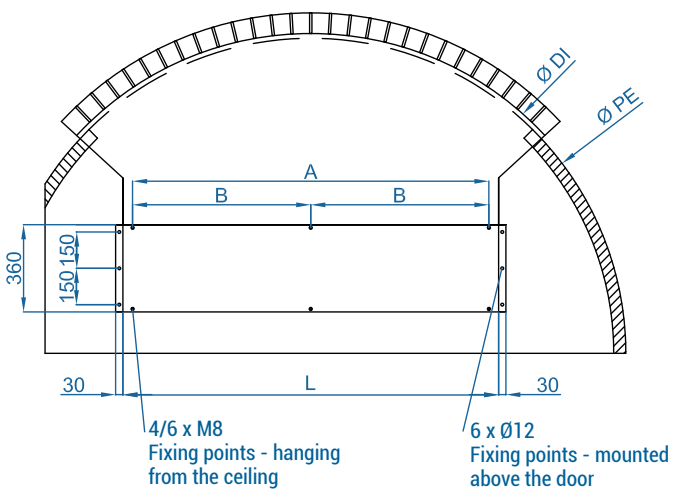
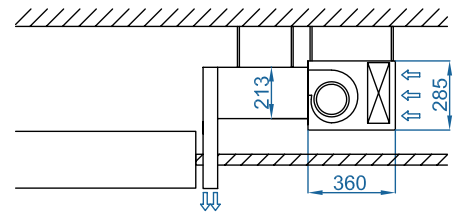
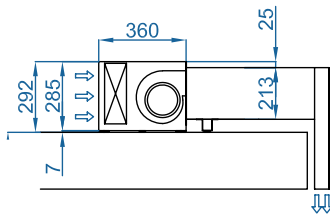


Hanging installation

Inverted: False ceiling mounting



Dimensions



	L	I	A
ROTO 1000	1050	970	-
ROTO 1500	1550	1470	735
ROTO 2000	2055	1975	987,5
ROTO 2500	2555	2475	1237,5

Ø DI	Inside Outlet Diameter
Ø PE	External Door Diameter

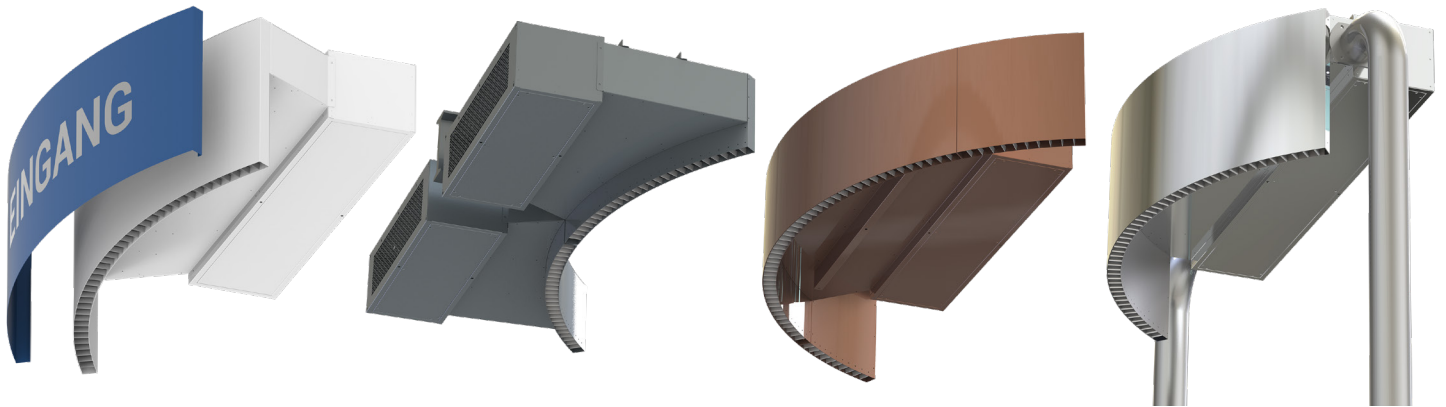
Customizable dimensions on request.



Tailor made finishes

ROTOWIND can be customized in the same color or material as the revolving door to match the interior or exterior aesthetics of the building. Optionally, it can be ordered with a front decorative cover, which can be painted in a different color or finish. It can also be customized with logos, graphics or signage.

Multiple options available for accessories and supports to adapt to the installation requirements.

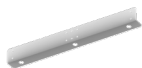


Optional accessories

Supports and installation



Decorative front cover
(RAL Painted / SS)



Support angle
(top mounting)
✓ Included



Silentblock support
(top mounting)
✓ Included



Silentblock supports
SPANG-SIL / SLB



Suspension cables
SPCT



Round arm
Rotowind

Control



IR Control
✓ Included



Basic Control
✓ Included



Clever Control Kit



RJ45 Cable
✓ Included



Hand-Auto
CH-5HW-NE



Ambient thermostat
T6360



Interface kit
IN-NE-II

Filters



Removable
prefilter G2

Sensors and valves



Magnetic
door contact MAG-DC



Mechanical
door contact MEC-DC



External Temperature
Sensor (Clever Control)



Solenoid valve
V-S



Valve 3 ways
V-T



Proportional valve
V-ACT



Anti-freezing sensor
AFS-INS

Condensation



Condensation tray