



Characteristics

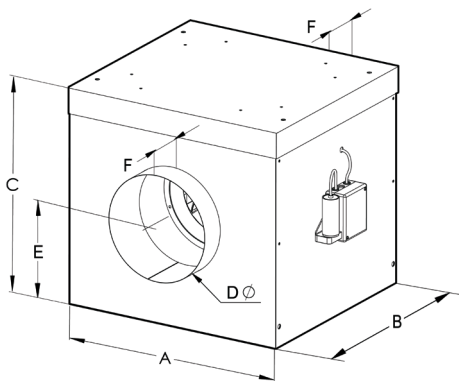


- Ventilation unit with 50 mm thick of sound insulation.
- External rotor motor protected through thermal contact 0-100% variable speed.
- Connection box IP54 incorporated.
- Wide service door.
- Circular connexions to standard ducts.
- "ZA" Models with backward curved impeller.
- Models with EC motor of low consume.

Specifications

Model	Tension V	Maximum Airflow m ³ /h	Power Fans kW	Current Fans A	Speed rpm	Maximum Pressure Pa
ZA 150 EC	1x230V	660	0,151	1,13	4020	710
ZA 200 EC	1x230V	935	0,146	1,15	3525	767
ZA 250 EC	1x230V	1340	0,158	1,24	2965	696
ZA 250 EC L	1x230V	1635	0,319	1,38	3420	760
ZA 315 EC	1x230V	2090	0,311	1,34	2310	495
ZA 315 EC L	1x230V	2610	0,299	1,29	2200	703

Dimensions



	A	B	C	D	E	F
ZA 150	360	365	370	150	180	50
ZA 200	435	405	405	200	200	50
ZA 250	475	445	450	250	220	50
ZA 315	555	555	560	315	282	50