



# Technical Features

---

It combines a dual patented disinfection and purification technology through the generation of hydroxyl radicals  $\text{OH}\cdot$  and the effect of photocatalysis.

Innovative active OH technology which disinfect through a chain reaction both the air and the surfaces. Through Advanced Oxidation Processes (POA) they reduces up to 99.9% of pathogenic microorganisms (viruses and bacteria), improve air quality (reducing volatile organic compounds and suspended particles) and eliminate odors

Kleenfan technology with photocatalytic disinfectant action fans. UV-A rays act on the titanium dioxide in the turbine generating Reactive Oxygen Species (ROS) that, through oxidation/reduction reactions, eliminate a wide range of organisms reducing them up to 99.9%.

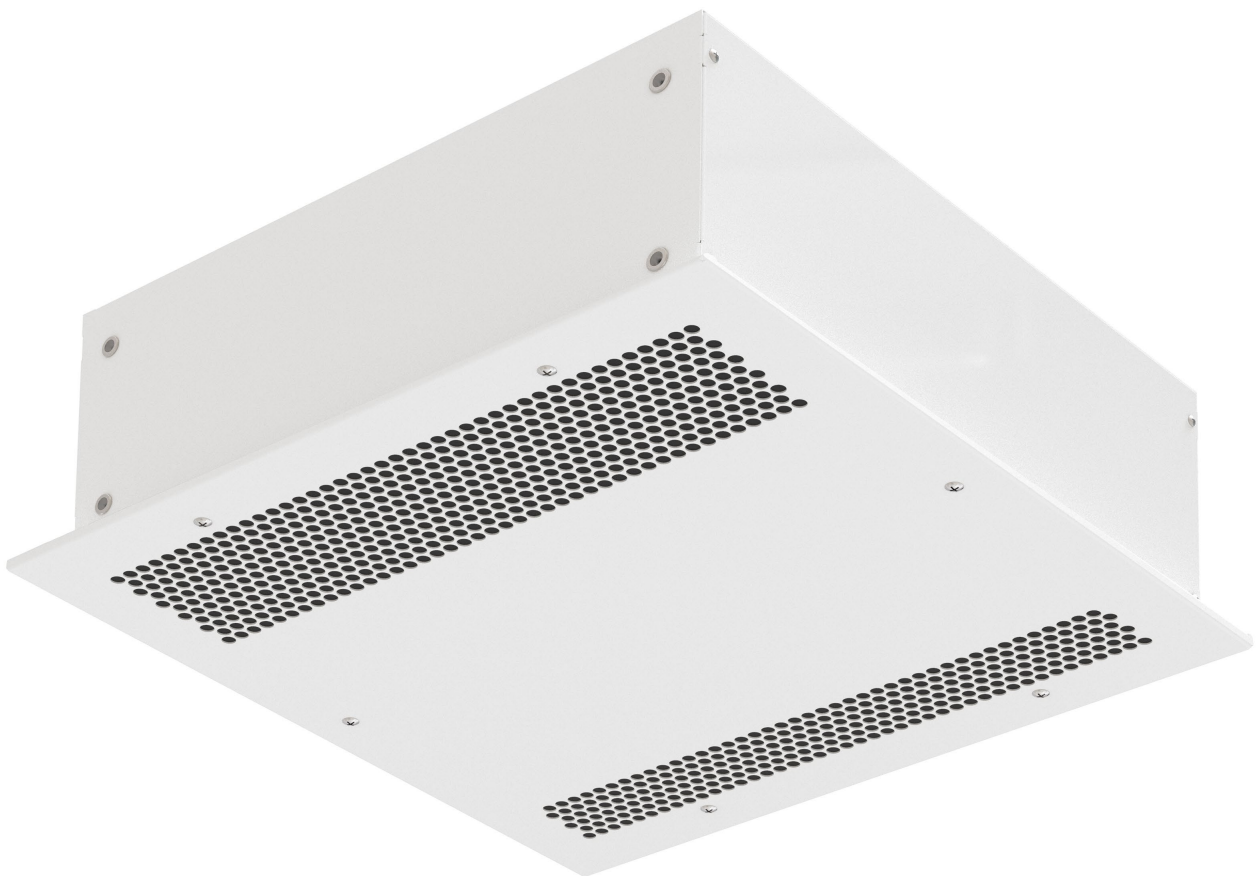
It mineralizes most of the pollutants present in urban areas produced by vehicles and industry ( $\text{NO}_x$ ,  $\text{SO}_x$ ,  $\text{CO}_x$ , formaldehydes, VOCs, etc.).

It includes a cartridge filled with a hydrogen peroxide solution.

Self-supporting casing construction made of galvanized steel plate.

Inlet grille (maintenance free) and discharge area integrated in a single galvanized steel tray, finished in structural epoxy-polyester painting white colour RAL9016 as standard. Other colours or stainless steel are available on request.

Tangential fan with "twisted" profile turbine of low-noise with 2-speed external rotor motor.





Airflow  
(m<sup>3</sup>/h)

105/315



Consumption  
(W/h)

33,4



Intensity  
(A at 230V-50Hz)

0,17



Weight  
(Kg)

16



Noise level  
(dBA)

31-37

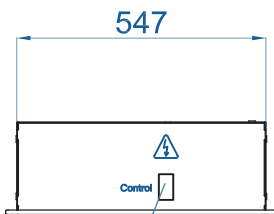
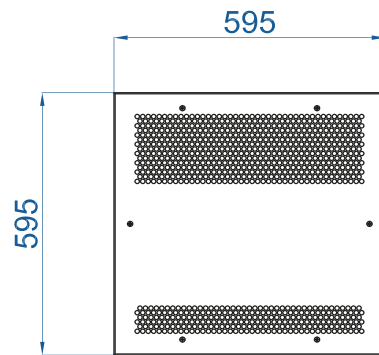


Range  
(m<sup>3</sup>)

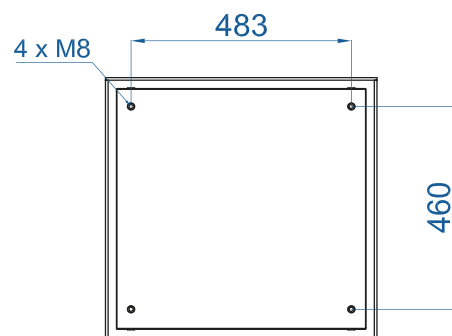
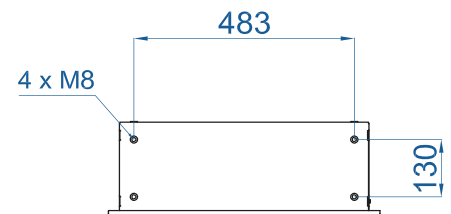
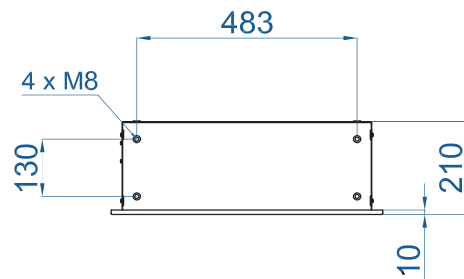
850

## Dimensions

The device has a compact and pleasing design with overall dimensions of 595 x 595 x 210 (mm).



Electrical connections



# Control

It includes basic control Plug&Play with two regulation speeds.

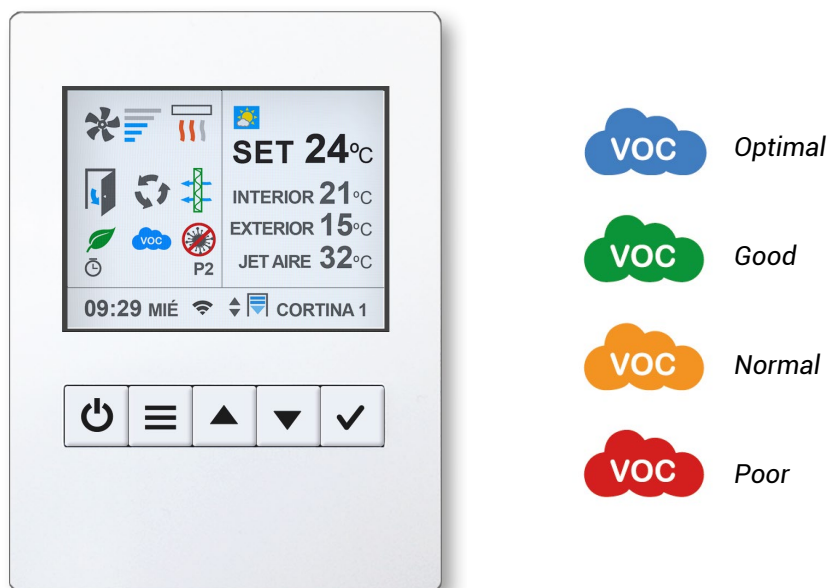


Optionally, the advanced Clever Control with air quality sensor can also be installed.

**Disinfection function:** The TFT display of the Clever control unit indicates with an icon that disinfection is active and running.

**ON mode:** disinfection activated while the K7 unit is running.

**24h mode:** disinfection activated 24 hours a day. When the K7 unit is OFF, the ventilation continues to run at a programmed minimum speed.



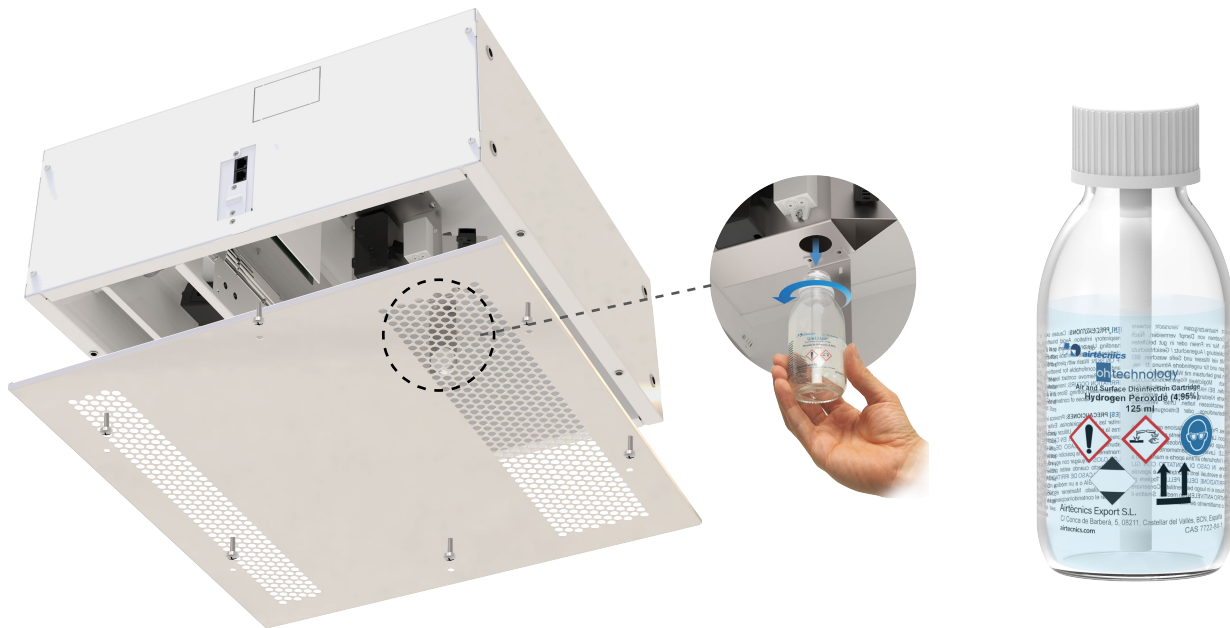
This extra disinfection function is compatible with all standard K7 programmes of the Clever control.

**Disinfection activated:** the light flashes when the empty cartridge alarm is active (no liquid).

**Air quality:** Continuous monitoring of air quality by a VOC sensor. Indicates air quality status with 4 colours.

**Cartridge alarm:** The level of the biocide cartridge is monitored by a sensor that will alert when the cartridge runs out of liquid for replacement. The disinfection icon will flash on the TFT screen of the Clever control indicating that the cartridge needs to be replaced. Inside the unit there is also a red LED indicator which will light up when the new cartridge is replaced.

# Maintenance



The cartridge only needs to be changed every 3 months. The level of the cartridge is controlled by a sensor that will warn when the liquid runs out so that it can be replaced.

## Additional Information

One of the technologies of the disinfection device is implemented with an ultraviolet ray emitting LED which, as it is inserted inside the housing of the unit and uses low intensity powers, is completely harmless to humans, because its incidence is not direct on living beings, but on the titanium dioxide coated fan.

According to UNE-EN 12198 the K7 is classified as category 0 but for the information of users and maintenance team its been identified with category 1 label.

### Classification of machinery according to emission levels (UNE-EN 12198)

Category	Restrictions and security measures	Information and training
0	No restrictions	No information required
1	Restrictions: limited access, security measures may be necessary.	Information on hazards, risks and side effects
2	Special restrictions and essential security measures	Information on hazards, risks and side-effects; training may be needed

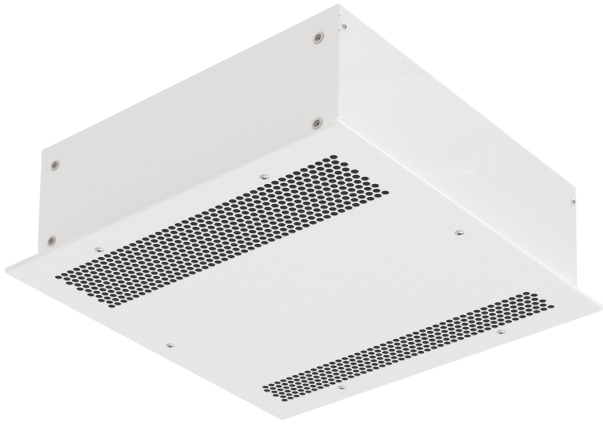
Source: Spanish Normalization UNE-EN 12198



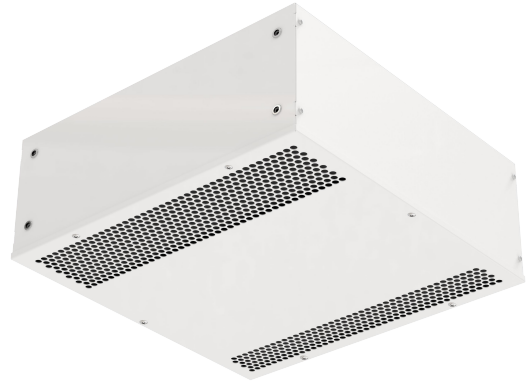
Optical radiation emission  
Category 1  
(EN 12198)

# Installation

---



*False ceiling grille (standard)*

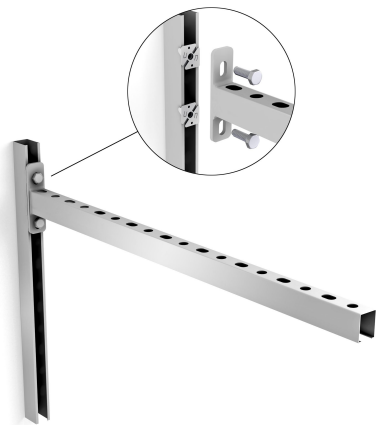


*Visible installation grille*

Cassette can be fitted with two grilles, the first has wings to blend in perfectly with the false ceiling, while the second does not protrude from the unit and allows for a nice installation.

# Accessories

---

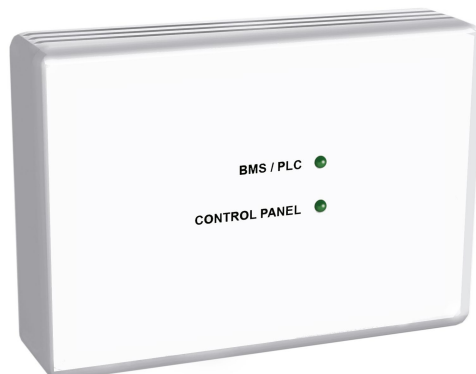


*Rail supports*



*Silentblock brackets*

This unit is thought for installation in false ceiling. However, there is also the possibility to install it with the rail bracket or the silentblock bracket.



*Interface Control*

There is also the option of connecting it to the Interface to link it to a PLC.