



Characteristics

Dam air curtain with photocatalysis Kleenfan technology that disinfects and purifies the air, for commercial and industrial doors



- Kleenfan technology with photocatalytic purificant action fans. UV-A rays, from the long-life led, act on the titanium dioxide of the turbine generation Reactive Oxygen Species (ROS) than, through oxidation /reduction reactions, inactivate wide range of pathogenic microorganisms (viruses and bacteria). It mineralizes most of the pollutants present in urban areas produced by vehicles and industry (NOx, SOx, COx, formaldehydes, VOCs, etc.).
- Self-supporting casing construction made of galvanized steel plate, finished in structural epoxy-polyester painting white colour RAL9016 as standard. Other colours or stainless steel are available on request.
- Front panel with option to customize and the possibility of including personalized logos, signs, graphic designs, images, etc.
- The inlet areas are located behind the front panel. They do not need maintenance.
- Anodized aluminium outlet vanes, airfoil shaped, adjustable from 0 to 15° each side.
- EC Double-inlet centrifugal fans driven by an external rotor motor and low noise level, with very low consumption efficiency fans.
- “P” type with water heated coil. “E” type with electrical shielded elements, three stages with integrated regulation. “A” type without heating, air only. Optional expansion DX coil.
- Includes Plug&Play control with 7m RJ45 cable and infrared remote control. Optional: Clever control (programmable, automatic, intelligent, energy saving, Modbus RTU for BMS...)

Specifications

50Hz

Unheated		
Model	Nominal Airflow (m³/h)	Recommended Installation Height (m)
DAM ECM 1000 A FC	1840	2,5-3,8
DAM ECM 1500 A FC	2760	2,5-3,8
DAM ECM 2000 A FC	3680	2,5-3,8
DAM ECM 2500 A FC	4600	2,5-3,8
DAM ECM 3000 A FC	5520	2,5-3,8
DAM ECG 1000 A FC	2700	3-4,2
DAM ECG 1500 A FC	3600	3-4,2
DAM ECG 2000 A FC	5400	3-4,2
DAM ECG 2500 A FC	6300	3-4,2
DAM ECG 3000 A FC	7200	3-4,2

Electrical Heating			
Model	Nominal Airflow (m³/h)	Electrical Heating Capacity 400Vx3 (kW)	Recommended Installation Height (m)
DAM ECM 1000 E FC	1840	3/6/9	2,5-3,8
DAM ECM 1500 E FC	2760	4/8/12	2,5-3,8
DAM ECM 2000 E FC	3680	6/12/18	2,5-3,8
DAM ECM 2500 E FC	4600	6/12/18	2,5-3,8
DAM ECM 3000 E FC	5520	8/16/24	2,5-3,8
DAM ECG 1000 E FC	2700	5/10/15	3-4,2
DAM ECG 1500 E FC	3600	7,5/15/22,5	3-4,2
DAM ECG 2000 E FC	5400	10/20/30	3-4,2
DAM ECG 2500 E FC	6300	10/20/30	3-4,2
DAM ECG 3000 E FC	7200	10/20/30	3-4,2



Water Heating					
Model	Nominal Airflow (m³/h)	Recommended Installation Height (m)	Heating Capacity 80/60°C (kW)	Heating Capacity 60/40°C (kW)	Heating Capacity 50/40°C (kW)
DAM ECM 1000 P86 FC	1720	2,5-3,8	9.38	-	-
DAM ECM 1500 P86 FC	2580	2,5-3,8	14.58	-	-
DAM ECM 2000 P86 FC	3440	2,5-3,8	21.12	-	-
DAM ECM 2500 P86 FC	4300	2,5-3,8	27.53	-	-
DAM ECM 3000 P86 FC	5160	2,5-3,8	33.99	-	-
DAM ECG 1000 P86 FC	2550	3-4,2	11.89	-	-
DAM ECG 1500 P86 FC	3400	3-4,2	17.29	-	-
DAM ECG 2000 P86 FC	5100	3-4,2	26.86	-	-
DAM ECG 2500 P86 FC	5950	3-4,2	33.63	-	-
DAM ECG 3000 P86 FC	6800	3-4,2	40.34	-	-
DAM ECM 1000 P64 FC	1720	2,5-3,8	-	8.77	-
DAM ECM 1500 P64 FC	2580	2,5-3,8	-	14.02	-
DAM ECM 2000 P64 FC	3440	2,5-3,8	-	18.7	-
DAM ECM 2500 P64 FC	4300	2,5-3,8	-	23.33	-
DAM ECM 3000 P64 FC	5160	2,5-3,8	-	29.05	-
DAM ECG 1000 P64 FC	2550	3-4,2	-	11.27	-
DAM ECG 1500 P64 FC	3400	3-4,2	-	16.77	-
DAM ECG 2000 P64 FC	5100	3-4,2	-	24.14	-
DAM ECG 2500 P64 FC	5950	3-4,2	-	28.84	-
DAM ECG 3000 P64 FC	6800	3-4,2	-	34.81	-
DAM ECM 1000 P54 FC	1720	2,5-3,8	-	-	8.74
DAM ECM 1500 P54 FC	2580	2,5-3,8	-	-	14.71
DAM ECM 2000 P54 FC	3440	2,5-3,8	-	-	19.13
DAM ECM 2500 P54 FC	4300	2,5-3,8	-	-	24.95
DAM ECM 3000 P54 FC	5160	2,5-3,8	-	-	30.54
DAM ECG 1000 P54 FC	2550	3-4,2	-	-	11.5
DAM ECG 1500 P54 FC	3400	3-4,2	-	-	17.86
DAM ECG 2000 P54 FC	5100	3-4,2	-	-	25.24
DAM ECG 2500 P54 FC	5950	3-4,2	-	-	31.38
DAM ECG 3000 P54 FC	6800	3-4,2	-	-	37.16

60Hz

Unheated		
Model	Nominal Airflow (m³/h)	Recommended Installation Height (m)
DAM ECM 1000 A FC	1840	2,5-3,8
DAM ECM 1500 A FC	2760	2,5-3,8
DAM ECM 2000 A FC	3680	2,5-3,8
DAM ECM 2500 A FC	4600	2,5-3,8
DAM ECM 3000 A FC	5520	2,5-3,8
DAM ECG 1000 A FC	2700	3-4,2
DAM ECG 1500 A FC	3600	3-4,2
DAM ECG 2000 A FC	5400	3-4,2
DAM ECG 2500 A FC	6300	3-4,2
DAM ECG 3000 A FC	7200	3-4,2

Electrical Heating

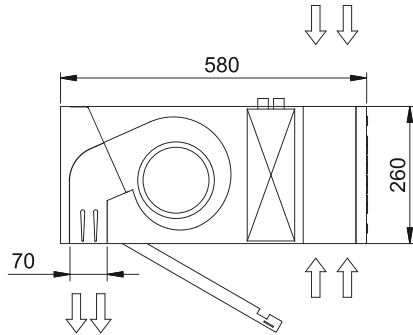
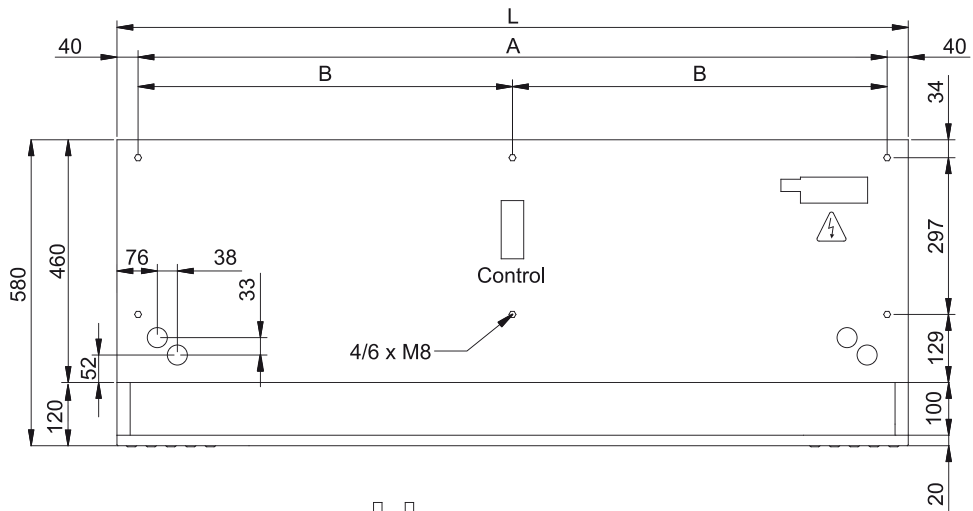


Model	Nominal Airflow (m³/h)	Electrical Heating Capacity 400Vx3 (kW)	Recommended Installation Height (m)
DAM ECM 1000 E FC	1840	3/6/9	2,5-3,8
DAM ECM 1500 E FC	2760	4/8/12	2,5-3,8
DAM ECM 2000 E FC	3680	6/12/18	2,5-3,8
DAM ECM 2500 E FC	4600	6/12/18	2,5-3,8
DAM ECM 3000 E FC	5520	8/16/24	2,5-3,8
DAM ECG 1000 E FC	2700	5/10/15	3-4,2
DAM ECG 1500 E FC	3600	7,5/15/22,5	3-4,2
DAM ECG 2000 E FC	5400	10/20/30	3-4,2
DAM ECG 2500 E FC	6300	10/20/30	3-4,2
DAM ECG 3000 E FC	7200	10/20/30	3-4,2

Water Heating					
Model	Nominal Airflow (m³/h)	Recommended Installation Height (m)	Heating Capacity 80/60°C (kW)	Heating Capacity 60/40°C (kW)	Heating Capacity 50/40°C (kW)
DAM ECM 1000 P86 FC	1720	2,5-3,8	9.38	-	-
DAM ECM 1500 P86 FC	2580	2,5-3,8	14.58	-	-
DAM ECM 2000 P86 FC	3440	2,5-3,8	21.12	-	-
DAM ECM 2500 P86 FC	4300	2,5-3,8	27.53	-	-
DAM ECM 3000 P86 FC	5160	2,5-3,8	33.99	-	-
DAM ECG 1000 P86 FC	2550	3-4,2	11.89	-	-
DAM ECG 1500 P86 FC	3400	3-4,2	17.29	-	-
DAM ECG 2000 P86 FC	5100	3-4,2	26.86	-	-
DAM ECG 2500 P86 FC	5950	3-4,2	33.63	-	-
DAM ECG 3000 P86 FC	6800	3-4,2	40.34	-	-
DAM ECM 1000 P64 FC	1720	2,5-3,8	-	8.77	-
DAM ECM 1500 P64 FC	2580	2,5-3,8	-	14.02	-
DAM ECM 2000 P64 FC	3440	2,5-3,8	-	18.7	-
DAM ECM 2500 P64 FC	4300	2,5-3,8	-	23.33	-
DAM ECM 3000 P64 FC	5160	2,5-3,8	-	29.05	-
DAM ECG 1000 P64 FC	2550	3-4,2	-	11.27	-
DAM ECG 1500 P64 FC	3400	3-4,2	-	16.77	-
DAM ECG 2000 P64 FC	5100	3-4,2	-	24.14	-
DAM ECG 2500 P64 FC	5950	3-4,2	-	28.84	-
DAM ECG 3000 P64 FC	6800	3-4,2	-	34.81	-
DAM ECM 1000 P54 FC	1720	2,5-3,8	-	-	8.74
DAM ECM 1500 P54 FC	2580	2,5-3,8	-	-	14.71
DAM ECM 2000 P54 FC	3440	2,5-3,8	-	-	19.13
DAM ECM 2500 P54 FC	4300	2,5-3,8	-	-	24.95
DAM ECM 3000 P54 FC	5160	2,5-3,8	-	-	30.54
DAM ECG 1000 P54 FC	2550	3-4,2	-	-	11.5
DAM ECG 1500 P54 FC	3400	3-4,2	-	-	17.86
DAM ECG 2000 P54 FC	5100	3-4,2	-	-	25.24
DAM ECG 2500 P54 FC	5950	3-4,2	-	-	31.38
DAM ECG 3000 P54 FC	6800	3-4,2	-	-	37.16



Dimensions



L	A	B
1000	920	-
1500	1420	710
2000	1920	960
2500	2420	1210
3000	2920	1460