



Characteristics



Haier



- Energy saving heat pump air curtain: Up to 70% reduction in costs and CO2 emissions (heating mode).
- Self-supporting casing construction made of galvanized steel plate, finished in structural epoxy-polyester painting white colour RAL9016 as standard. Other colours or stainless steel are available on request.
- Front panel with option to customize and the possibility of including personalized logos, signs, graphic designs, images, etc.
- The inlet areas are located behind the front panel. They do not need maintenance.
- Anodized aluminium outlet vanes, airfoil shaped, adjustable from 0 to 15° each side.
- Low noise double-inlet centrifugal fans with external rotor motor. 5-speed controller. EC models assembled with very low consumption efficiency fans.
- Includes only heating direct expansion coil with installed temperature sensors.
- Plug&Play control panel CS-5DX-NE slave DX with 5 speeds selector and 7m telephone cable included.
- DX VRF:
Ready to connect to HAIER VRF outdoor heat pump unit (R410A), not included, the customer should purchase it.
Requires HAIER VRF Interface KIT adapted for air curtain with expansion valve and programmable control, please consult.

Specifications

50Hz

Heat Pump - VRF		
Model	Nominal Airflow (m³/h)	Recommended Installation Height (m)
DAM ECM 1000 VRF7-HA	1640	2,5-3,8
DAM ECM 1500 VRF12-HA	2460	2,5-3,8
DAM ECM 2000 VRF16-HA	3280	2,5-3,8
DAM ECM 2000 VRF19-HA	3280	2,5-3,8
DAM ECM 2500 VRF21-HA	4100	2,5-3,8
DAM ECM 2500 VRF24-HA	4100	2,5-3,8
DAM ECM 3000 VRF26-HA	4920	2,5-3,8
DAM ECG 1000 VRF10-HA	2190	3-4,2
DAM ECG 1500 VRF13-HA	2920	3-4,2
DAM ECG 1500 VRF15-HA	2920	3-4,2
DAM ECG 2000 VRF20-HA	4380	3-4,2
DAM ECG 2000 VRF24-HA	4380	3-4,2
DAM ECG 2500 VRF25-HA	5110	3-4,2
DAM ECG 2500 VRF29-HA	5110	3-4,2
DAM ECG 3000 VRF29-HA	5840	3-4,2
DAM ECG 3000 VRF34-HA	5840	3-4,2

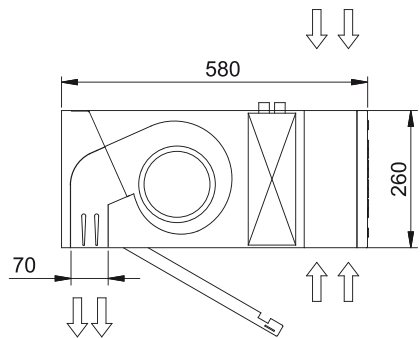
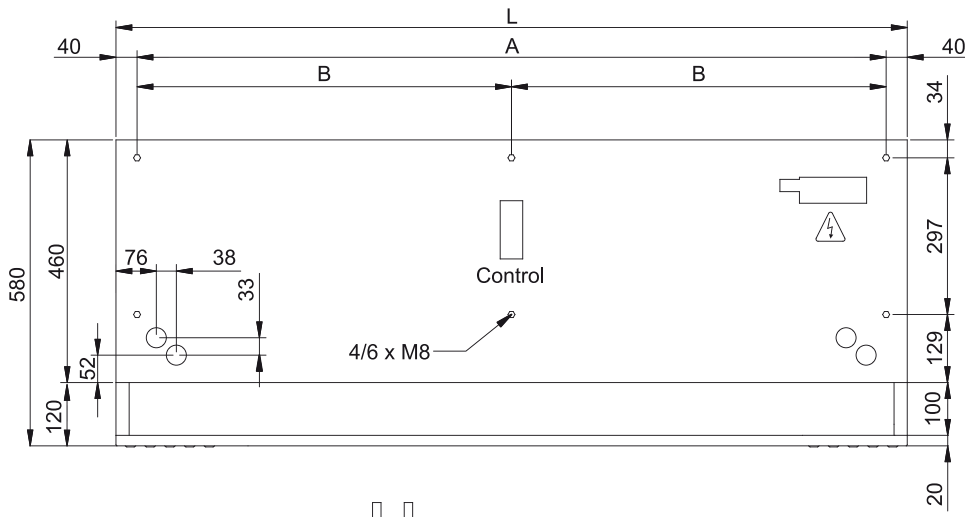
60Hz

Heat Pump - VRF		
Model	Nominal Airflow (m³/h)	Recommended Installation Height (m)
DAM ECM 1000 VRF7-HA	1640	2,5-3,8
DAM ECM 1500 VRF12-HA	2460	2,5-3,8
DAM ECM 2000 VRF16-HA	3280	2,5-3,8
DAM ECM 2000 VRF19-HA	3280	2,5-3,8
DAM ECM 2500 VRF21-HA	4100	2,5-3,8



Heat Pump - VRF		
Model	Nominal Airflow (m³/h)	Recommended Installation Height (m)
DAM ECM 2500 VRF24-HA	4100	2,5-3,8
DAM ECM 3000 VRF26-HA	4920	2,5-3,8
DAM ECG 1000 VRF10-HA	2190	3-4,2
DAM ECG 1500 VRF13-HA	2920	3-4,2
DAM ECG 1500 VRF15-HA	2920	3-4,2
DAM ECG 2000 VRF20-HA	4380	3-4,2
DAM ECG 2000 VRF24-HA	4380	3-4,2
DAM ECG 2500 VRF25-HA	5110	3-4,2
DAM ECG 2500 VRF29-HA	5110	3-4,2
DAM ECG 3000 VRF29-HA	5840	3-4,2
DAM ECG 3000 VRF34-HA	5840	3-4,2

Dimensions



L	A	B
1000	920	-
1500	1420	710
2000	1920	960
2500	2420	1210
3000	2920	1460