



Characteristics



Haier



airtècnics

- Energy saving heat pump air curtain: Up to 70% reduction in costs and CO2 emissions (heating mode).
- Self-supporting casing construction made of galvanized steel plate, ready to be installed recessed in a false ceiling.
- Inlet grille (free of maintenance) made with aluminium profiles and blow-out nozzle, integrated in a single white frame colour RAL 9016. Other colours are available on request. Internal prefilter included.
- Anodized aluminium outlet vanes, airfoil shaped, adjustable in both directions.
- Low noise double-inlet centrifugal fans with external rotor motor. 5-speed controller. EC models assembled with very low consumption efficiency fans.
- Includes only heating direct expansion coil with installed temperature sensors. Under request it can be modified to work in cooling and heating mode (not recommended) with optional condensate water pump.
- Plug&Play control panel CS-5DX-NE slave DX with 5 speeds selector and 7m telephone cable included.
- DX VRF:
Ready to connect to HAIER VRF outdoor heat pump unit (R410A), not included, the customer should purchase it.
Requires HAIER VRF Interface KIT adapted for air curtain with expansion valve and programmable control, please consult.

Specifications

50Hz

Heat Pump - VRF		
Model	Nominal Airflow (m³/h)	Recommended Installation Height (m)
RECM 1000 VRF7-HA	1640	2,5-3,8
RECM 1500 VRF12-HA	2460	2,5-3,8
RECM 2000 VRF16-HA	3280	2,5-3,8
RECM 2000 VRF19-HA	3280	2,5-3,8
RECM 2500 VRF21-HA	4100	2,5-3,8
RECM 2500 VRF24-HA	4100	2,5-3,8
RECG 1000 VRF10-HA	2190	3-4,2
RECG 1500 VRF13-HA	2920	3-4,2
RECG 1500 VRF15-HA	2920	3-4,2
RECG 2000 VRF20-HA	4380	3-4,2
RECG 2000 VRF24-HA	4380	3-4,2
RECG 2500 VRF25-HA	5110	3-4,2
RECG 2500 VRF29-HA	5110	3-4,2

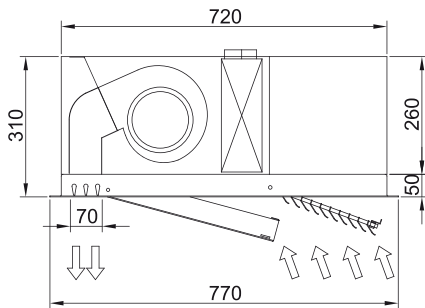
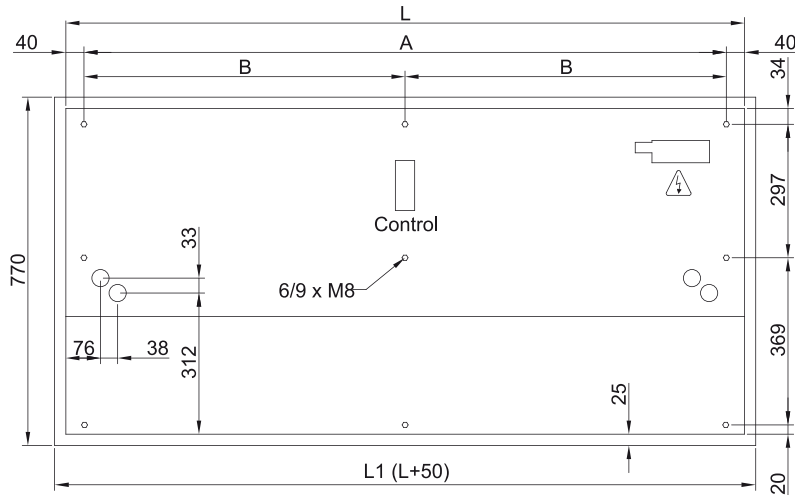
60Hz

Heat Pump - VRF		
Model	Nominal Airflow (m³/h)	Recommended Installation Height (m)
RECM 1000 VRF7-HA	1640	2,5-3,8
RECM 1500 VRF12-HA	2460	2,5-3,8
RECM 2000 VRF16-HA	3280	2,5-3,8
RECM 2000 VRF19-HA	3280	2,5-3,8
RECM 2500 VRF21-HA	4100	2,5-3,8
RECM 2500 VRF24-HA	4100	2,5-3,8
RECG 1000 VRF10-HA	2190	3-4,2
RECG 1500 VRF13-HA	2920	3-4,2



Heat Pump - VRF		
Model	Nominal Airflow (m³/h)	Recommended Installation Height (m)
RECG 1500 VRF15-HA	2920	3-4,2
RECG 2000 VRF20-HA	4380	3-4,2
RECG 2000 VRF24-HA	4380	3-4,2
RECG 2500 VRF25-HA	5110	3-4,2
RECG 2500 VRF29-HA	5110	3-4,2

Dimensions



	L	L1	A	B
Recessed Windbox 1000	1000	1050	920	-
Recessed Windbox 1500	1500	1550	1420	710
Recessed Windbox 2000	2000	2050	1920	960
Recessed Windbox 2500	2500	2550	2420	1210