



Characteristics



- Energy saving heat pump air curtain: Up to 70% reduction in costs and CO2 emissions (heating mode).
- Stylish, discreet and contemporary design adaptive to any interior architecture.
- Smooth front panel can be customized with logotypes, lighting, lettering or safety and informative signals, according to the client requirements.
- Self-supporting steel rounded casing with edgeless plastic side covers, finished in structural epoxy-polyester painting white colour RAL9016 as standard. Other colours are available on request.
- Hidden top air entrance, avoiding the inside view of the unit and the inlet grille.
- Anodized aluminium outlet vanes, airfoil shaped, adjustable in both directions.
- Low noise double-inlet centrifugal fans with external rotor motor. 5-speed controller. EC models assembled with very low consumption efficiency fans.
- Includes only heating direct expansion coil with installed temperature sensors. Under request it can be modified to work in cooling and heating mode (not recommended) with optional condensate water pump.
- Plug&Play control panel CS-5DX-NE slave DX with 5 speeds selector and 7m telephone cable included.
- DX VRF:
Ready to connect to HAIER VRF outdoor heat pump unit (R410A), not included, the customer should purchase it.
Requires HAIER VRF Interface KIT adapted for air curtain with expansion valve and programmable control, please consult.

Specifications

50Hz

Model	Heat Pump - VRF	
	Nominal Airflow (m³/h)	Recommended Installation Height (m)
SMART ECM 1000 VRF7-HA	1640	2,5-3,8
SMART ECM 1500 VRF12-HA	2460	2,5-3,8
SMART ECM 2000 VRF16-HA	3280	2,5-3,8
SMART ECM 2000 VRF19-HA	3280	2,5-3,8
SMART ECM 2500 VRF21-HA	4100	2,5-3,8
SMART ECM 2500 VRF24-HA	4100	2,5-3,8
SMART ECM 3000 VRF26-HA	4920	2,5-3,8
SMART ECG 1000 VRF10-HA	2190	3-4,2
SMART ECG 1500 VRF13-HA	2920	3-4,2
SMART ECG 1500 VRF15-HA	2920	3-4,2
SMART ECG 2000 VRF20-HA	4380	3-4,2
SMART ECG 2000 VRF24-HA	4380	3-4,2
SMART ECG 2500 VRF25-HA	5110	3-4,2
SMART ECG 2500 VRF29-HA	5110	3-4,2
SMART ECG 3000 VRF29-HA	5840	3-4,2

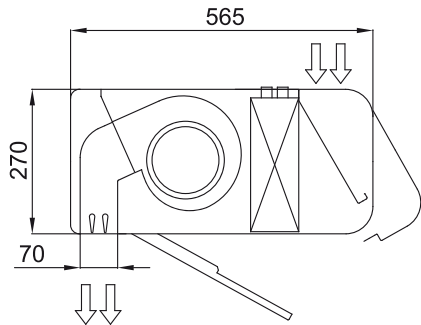
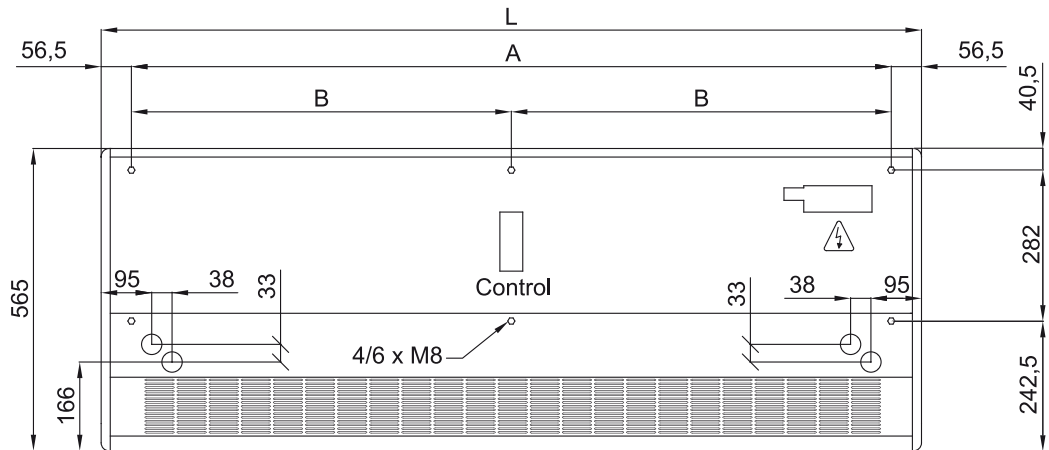


Heat Pump - VRF		
Model	Nominal Airflow (m³/h)	Recommended Installation Height (m)
SMART ECG 3000 VRF34-HA	5840	3-4,2

60Hz

Heat Pump - VRF		
Model	Nominal Airflow (m³/h)	Recommended Installation Height (m)
SMART ECM 1000 VRF7-HA	1640	2,5-3,8
SMART ECM 1500 VRF12-HA	2460	2,5-3,8
SMART ECM 2000 VRF16-HA	3280	2,5-3,8
SMART ECM 2000 VRF19-HA	3280	2,5-3,8
SMART ECM 2500 VRF21-HA	4100	2,5-3,8
SMART ECM 2500 VRF24-HA	4100	2,5-3,8
SMART ECM 3000 VRF26-HA	4920	2,5-3,8
SMART ECG 1000 VRF10-HA	2190	3-4,2
SMART ECG 1500 VRF13-HA	2920	3-4,2
SMART ECG 1500 VRF15-HA	2920	3-4,2
SMART ECG 2000 VRF20-HA	4380	3-4,2
SMART ECG 2000 VRF24-HA	4380	3-4,2
SMART ECG 2500 VRF25-HA	5110	3-4,2
SMART ECG 2500 VRF29-HA	5110	3-4,2
SMART ECG 3000 VRF29-HA	5840	3-4,2
SMART ECG 3000 VRF34-HA	5840	3-4,2

Dimensions



	L	A	B
Smart 1000	1034	920	-
Smart 1500	1534	1420	710
Smart 2000	2034	1920	960
Smart 2500	2534	2420	1210
Smart 3000	3034	2920	1460